

EYEBALL HD ANALOG CAMERA

Introducing the TEBF28A10-5MP, our state-of-the-art Analog Camera, meticulously crafted to deliver unparalleled security solutions tailored to your needs. Boasting an impressive 5MP resolution and a 2.8mm wide lens, this camera ensures crystal-clear footage, capturing every intricate detail with impeccable clarity. Stay ahead of the curve with instant notifications, keeping you informed of any suspicious activities in real-time. Elevate your security standards with our advanced Analog Camera and experience the ultimate safeguarding solution you deserve.

This camera model is also available in black - TEBF28A10-5MP-B



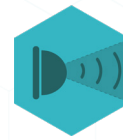
TEBF28A10-5MP



5MP RESOLUTION



2.8MM WIDE LENS



IR UP TO 20M



WATERPROOF
AND DUST-TIGHT



MICROPHONE



TVI-CVI-AHD-960H

VIDEO

IMAGING DEVICE	1/2.7" Progressive CMOS
TOTAL PIXELS	2608 (H) × 1960 (V)
EFFECTIVE PIXELS	2608 (H) × 1960 (V)
SCANNING SYSTEM	progressive scanning
MIN. ILLUMINATION	Color 0.04lux @ F1.6(AGC ON) ; B/W 0 lux @ IR ON
VIDEO OUTPUT	BNC
RESOLUTION	5MP 2592(H) × 1944(V)
MAX. FRAMERATE	5AHD/5TVI: 5MP@20fps 4AHD/4CVI/4TVI:P@25fps N@30fps 2AHD/2CVI/2TVI:P@25fps N@30fps CVBS: 960H
FOCAL LENGTH (ZOOM RATIO)	2.8MM
MAX. APERTURE RATIO	F1.6
ANGULAR FIELD OF VIEW	H:111.4° / V:58.8° / D:134°
MIN. OBJECT DISTANCE	1.8m
LENS TYPE	Fixed lens

LAWS AND REGULATIONS

SAFETY	CE LVD
EMC	CE EMC, FCC
ROHS	RoHS2.0

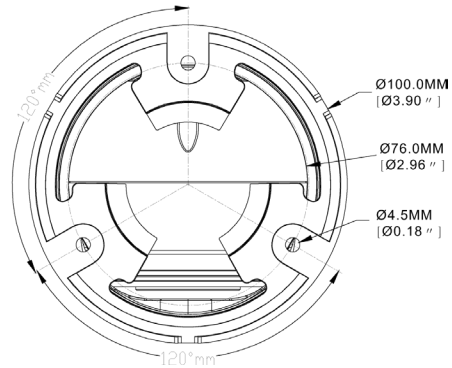
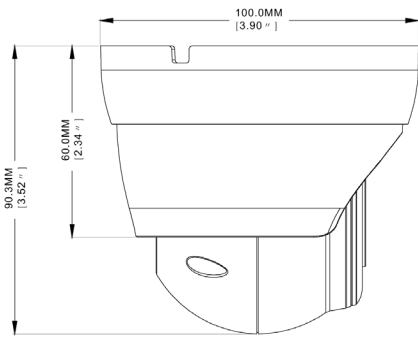
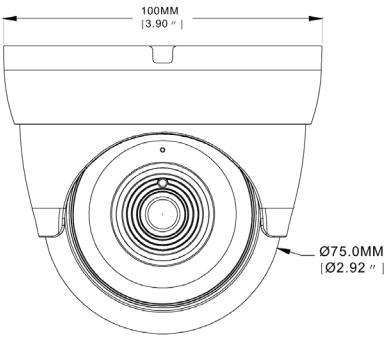
OPERATIONAL

AUDIO	Audio over coaxial
AUDIO RANGE	7M
IR DISTANCE	20M
ON SCREEN DISPLAY	English
DAY & NIGHT	Ext / Color / B/W
BACKLIGHT COMPENSATION	BLC
WIDE DYNAMIC RANGE	N/A
DIGITAL NOISE REDUCTION	2D DNR
GAIN CONTROL	Auto
WHITE BALANCE	ATW
ELECTRONIC SHUTTER SPEED	Auto
REVERSE	Mirror
REMOTE CONTROL INTERFACE	ACP (AHD Coax Protocol)
VIDEO TRANSMISSION DISTANCE	MAX 300M (RG-6)

GENERAL

OPERATING TEMPERATURE / HUMIDITY	-30°C - 55°C / 90%
INGRESS PROTECTION	IP66
INPUT VOLTAGE / CURRENT	12V DC
POWER CONSUMPTION	IR OFF ≤1W, IR ON ≤4W
COLOR / MATERIAL	Metal
DIMENSION (WXHxD)	Ø100x90mm
WEIGHT	appr 410g

DIMENSIONS



ACCESSORIES



TEBBASE1
JUNCTION BOX



WMB2
WALLMOUNT BRACKET



PMB6
POLE MOUNT BRACKET



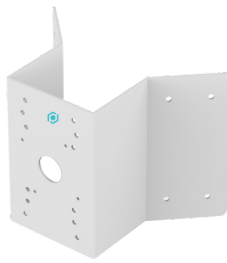
48V-3.0A-4PIN
POWER SUPPLY



TEBBASE1-G
PENDANT



WMB6
WALLMOUNT BRACKET



COMB6
CORNER MOUNT BRACKET



BALUNHD
BALUN

2024 Global Surveillance Distribution, G.S.D Group and G.S.D are registered trademarks of Global Surveillance Distribution Group, Inc. in Canada and / or other countries. We reserve the right to change the design and specifications of the product Without notice and without incurring any obligation.