

PTZ HD ANALOG CAMERA

Introducing the PTZ20XTVI Security Camera - your ultimate surveillance solution for unparalleled monitoring capabilities. This analog camera boasts a powerful 20X optical zoom paired with a crisp 2MP resolution, ensuring every detail is captured with clarity. With its 4.7-94mm motorized lens, you have the flexibility to adjust focus effortlessly. Equipped with an IP66 protection rating, this camera is built to withstand harsh weather conditions, making it ideal for both indoor and outdoor use. Enhance your security setup with the PTZ20XTVI and enjoy peace of mind knowing your property is under vigilant watch.



PTZ20XTVI



2MP RESOLUTION



4.7-94MM LENS



IR UP TO 120M



WATERPROOF
AND DUST-TIGHT



20X OPTICAL ZOOM



TVI-CVI-AHD-960H
RS-485 COMMUNICATION

CAMERA

IMAGE SENSOR	1/2.8" SONY CMOS (IMX307)
HORIZONTAL RESOLUTION	2MP
S/N RATIO	>50db

PTZ

HORIZONTAL ROTATION SPEED	280°/S
HORIZONTAL ROTATION RANGE	0°-360°
TILT ROTATION SPEED	120°/s
TILT ROTATION RANGE	0°-90°
AUTO FLIP	Support
RATIO SPEED	Support
360° SCAN	Support
A-B SCAN	Support
PRESET POINTS	220
GUARD TOURS	4 groups
GUARD POINTS	Max.16 points

LENS

FOCUS LENGTH	4.7mm-94mm
FOCUS CONTROL	20X Optical Zoom

NIGHT VISION

INFRARED LED	6PCS Array 42Mil IR LED
IR RANGE	120m
AUTO CONTROL IR LED	PWM

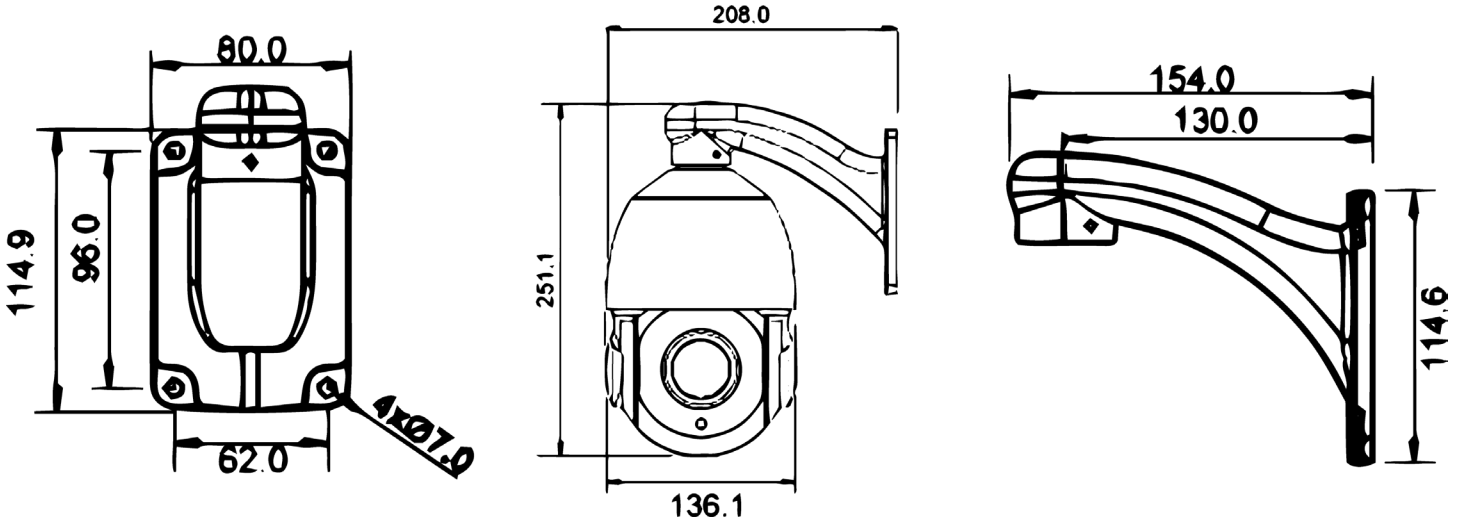
COMMUNICATION

COMMUNICATION PROTOCOL	UTC
COMMUNICATION INTERFACE	COAXIAL CABLE
AUDIO	N/A
ALARM	N/A

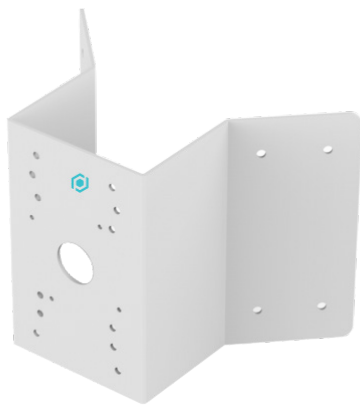
GENERAL

OPERATING TEMPERATURE	Indoor: 0°~ +40° Outdoor: -40°~ +60°
OPERATING HUMIDITY	≤90% Non Condensing
INGRESS PROTECTION	IP66
HEATER & BLOWER	Auto temperature control
POWER	DC12V/3A
LIGHTNING PROTECTION	Transient voltage 6000V
DIMENSION	208mm*136mm*251mm
WEIGHT	3Kgs

DIMENSIONS



ACCESSORIES



COMB6
CORNER MOUNT BRACKET



PMB6
POLE MOUNT BRACKET

2024 Global Surveillance Distribution, G.S.D Group and G.S.D are registered trademarks of Global Surveillance Distribution Group, Inc. in Canada and / or other countries. We reserve the right to change the design and specifications of the product Without notice and without incurring any obligation.