

EYEBALL HD ANALOG CAMERA

Upgrade your surveillance with the EB3VF2812AIO-5MP Eyeball analog camera. With a crystal-clear 5MP resolution and a versatile 2.8-12mm varifocal lens, this camera delivers unparalleled image quality and flexibility. Whether you're monitoring indoor or outdoor spaces, the Eyeball camera ensures optimal security coverage. Invest in peace of mind with advanced surveillance technology.

This camera model is also available in black - EB3VF2812AIO-5MP-B



EB3VF2812AIO-5MP



5MP RESOLUTION



2.8-12MM VARIFOCAL LENS



IR UP TO 30M



WATERPROOF
AND DUST-TIGHT



TVI-CVI-AHD-960H



POWER 12V/DC

CAMERA

IMAGING DEVICE	1/2.7" CMOS (SC4653)
EFFECTIVE PIXELS	5.0 Mega Pixels
SANNING SYSTEM	progressive scanning
ELECTRONIC SHUTTER SPEED	1/25s-1/50,000s , 1/30s-1/60,000s
MIN. ILLUMINATION (DAY)	Color 0.01Lux@F1.2
MIN. ILLUMINATION (NIGHT)	B/W 0.001 Lux@F1.2
S/N RATIO	More than 50dB (AGC OFF)
IR DISTANCE	30M
IR ON/OFF CONTROL	Auto
IR LEDES	6 pieces Array LEDs

LENS

LENS TYPE	2.8-12mm
MOUNT TYPE	Varifocal
FOCAL LENGTH	YES
MAX APERTURE	F1.6
ANGLE OF VIEW	112°-28°
FOCUS CONTROL	YES

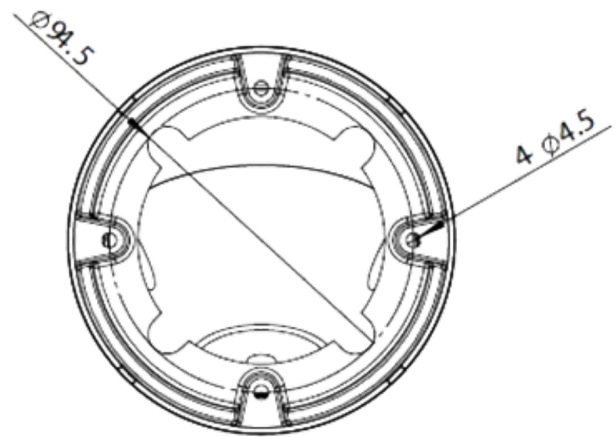
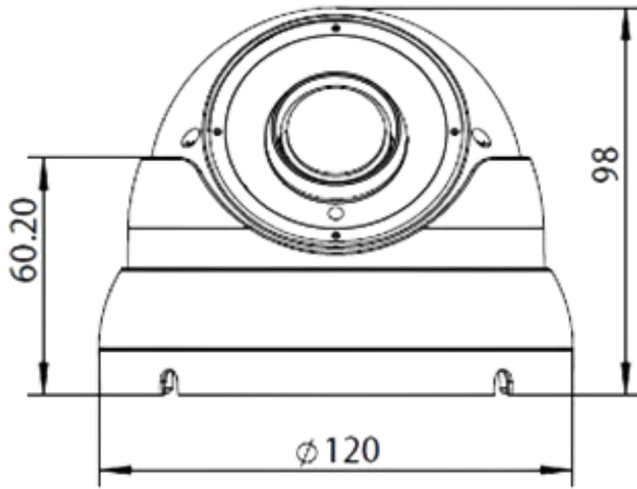
VIDEO

VIDEO SIGNAL	TVI / AHD/ CVI/ 960H
RESOLUTION	2592*1944
FRAME RATE	25/30fps
VIDEO OUTPUT	BNC
DAY/NIGHT	YES
OSD MENU	YES
BLC MODE	YES
WDR	DWDR
GAIN CONTROL	AGC
NOISE REDUCTION	3D
WHITE BALANCE	Auto
SMART IR	YES
AUDIO INTERFACE	NO

GENERAL

POWER SUPPLY	DC12V
POWER COMSUMPTION	IR On: 600mA max., IR Off: Less than 200mA
OPERATING CONDITIONS	-10°C ~ +50°C RH95% Max
STORAGE CONDITIONS	20°C ~ +60°C RH95% Max
MATERIAL	Metal
DIMENSIONS	117mmx83mm
WEIGHT	650g

DIMENSIONS



ACCESSORIES



 **EB3BASE2**
JUNCTION BOX



 **WMB5**
WALLMOUNT BRACKET

2024 Global Surveillance Distribution, G.S.D Group and G.S.D are registered trademarks of Global Surveillance Distribution Group, Inc. in Canada and / or other countries. We reserve the right to change the design and specifications of the product Without notice and without incurring any obligation.