

BULLET NETWORK CAMERA



Discover the B7Z2812IP8MP-AI security camera, a technology designed to enhance your security infrastructure. With its motorized lens and impressive 8 MP resolution, this camera offers unparalleled clarity, capturing detailed images with exceptional precision. Its audio input/output and input/output alarm features provide comprehensive surveillance and communication capabilities. Equipped with advanced AI features, it detects humans and vehicles up to a distance of 250 feet. Easily connect via P2P for effortless setup and receive instant notifications on your device, ensuring you are quickly alerted to any detected activity in real-time.



B7Z2812IP8MP-AI



8MP RESOLUTION



TRUE WDR



2.7-13.5MM
MOTORIZED LENS



ALARM/AUDIO
IN/OUT



MICRO SD CARD
SLOTUP TO 256GB



IR UP TO 45M



DUSTPROOF &
WATER-RESISTANT



VIDEO	
IMAGING DEVICE	1/2.8"
EFFECTIVE PIXELS	8MP 3840(H)~2160(V)
SCANNING SYSTEM	Progressive CMOS
MIN. ILLUMINATION	Color 0.1lux @ F1.2(AGC ON) ; B/W 0 lux @ IR ON

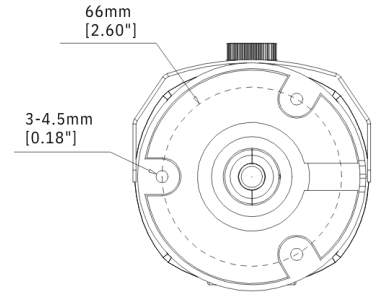
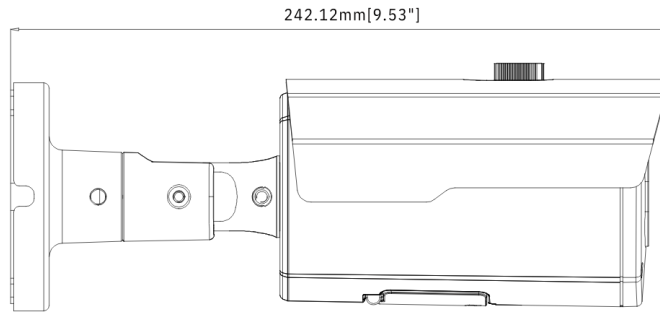
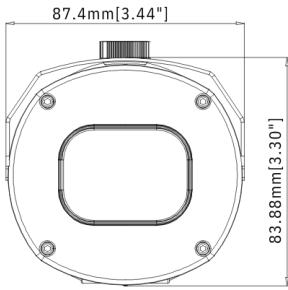
LENS TYPE	
FOCAL LENGTH (ZOOM RATIO)	2.7 ~ 13.5mm
MAX. APERTURE RATIO	F No. 1.83 (W) ~ 3.32(T)
ANGULAR FIELD OF VIEW	Horizontal: 33 ~111°, Vertical: 18 ~ 57°, Diagonal: 37 ~ 134°
MIN. OBJECT DISTANCE	0.8m(W) ~ 1m(T)
LENS TYPE	Motorized (Ø14)

OPERATIONAL	
IR VIEWABLE LENGTH	Up to 45m
CAMERA TITLE	On/Off
DAY & NIGHT	IR cut filter with auto switch (Day/Night/Auto/Schedule)
BACKLIGHT COMPENSATION	Off/On (5 Zones)
WIDE DYNAMIC RANGE	WDR
DIGITAL NOISE REDUCTION	3D DNR
MOTION DETECTION	Off/On (8 Levels)
PRIVACY MASKING	Off/On (4 Zones, Rectangle)
GAIN CONTROL	Auto
WHITE BALANCE	Auto/Manual
ELECTRONIC SHUTTER SPEED	1/5 ~ 1/20000s
IMAGE SETTING	Flip/Corridor/Rotation
ON-BOARD STORAGE	Micro SD slot, up to 256GB
ALARM	1 input, 1 output
AUDIO	1 input (RCA), 1 output (RCA)
HARDWARE RESET	Yes
SMART FEATURES	Perimeter Intrusion Detection (PID), Face Detection (FD), Stationary Object Detection (SOD), Crowd Density Detection (CD), Human&Vehicle Detection (PD&VD), Line Crossing Detection (LCD), Queue Length Detection (QD), Heat Map (HM), Cross Counting (CC)

NETWORK	
ETHERNET	RJ45(10/100BASE-T)
VIDEO COMPRESSION FORMAT	H.265/H.264
RESOLUTION	Mainstream 8MP(3840x2160),5MP(2592x1944,3072x1728), 4MP(2592x1520), 3MP(2304x1296), 1080P(1920x1080), 960P(1280*960),720P(1280x720) Substream 720P(1280x720),VGA(640x480),QVGA(320x240) Mobilestream VGA(640x480), QVGA(320x240)
MAX. FRAMERATE	50Hz:25fps@8MP,5MP,4MP,3MP,2MP,960P,720P,VGA,QVGA 60Hz:30fps@8MP,5MP,4MP,3MP,2MP,960P,720P,VGA,QVGA
VIDEO QUALITY ADJUSTMENT	8Kbps ~ 16Mbps
BITRATE CONTROL METHOD	CBR/VBR
STREAMING CAPABILITY	Triple-Stream(Main/Sub/Mobile)
IP	IPv4
PROTOCOL	TCP/IP,HTTP,DHCP,DNS,DDNS,RTP/RTSP,PPPoE,SMTP,NTP,UPnP,SNMP,HTTPS,FTP,
SECURITY	IP address filter;complicated password; Authenticated username and password
STREAMING METHOD	Unicast/Multicast
MAX. USER ACCESS	Max 7 (admin+user)
APPLICATION PROGRAMMING INTERFACE	ONVIF(Profile S/G/T, 18.12)
COMPATIBLE WEB BROWSERS	IE8,9,10,11, Chrome 44/lower, Firefox 51/lower, Safari 11/lower

GENERAL	
OPERATING CONDITIONS	-30~+55°C/less than ≤ 95% RH
STORAGE CONDITIONS	-30~+60°C/less than ≤ 95% RH
INGRESS PROTECTION	IP66
INPUT VOLTAGE / CURRENT	D12V/POE(IEEE802.3af)
POWER CONSUMPTION (IR OFF)	4W/5W
POWER CONSUMPTION (IR ON)	8W/10W
COLOR / MATERIAL	White/Metal
DIMENSION (WXHXD)	Ø87.4x242.12mm
WEIGHT	appr 830g

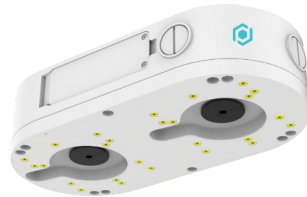
DIMENSIONS



ACCESSORIES



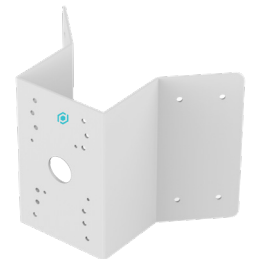
CMB6-EXT-120
EXTENDABLE CEILING MOUNT BRACKET



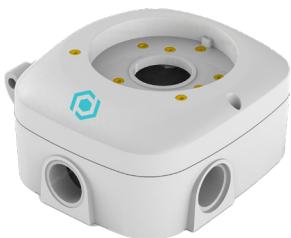
DBASEC
DOUBLE JUNCTION BOX



PMB6
POLE MOUNT BRACKET



COMB6
CORNER MOUNT BRACKET



B6BASE1
JUNCTION BOXES



DBASEX
DOUBLE JUNCTION BOX



EXT-4POE
4 PORTS POE EXTENDER



IPC0AX-300M
IP OVER COAX EXTENDER

2024 Global Surveillance Distribution, G.S.D Group and G.S.D are registered trademarks of Global Surveillance Distribution Group, Inc. in Canada and / or other countries. We reserve the right to change the design and specifications of the product Without notice and without incurring any obligation.