

# BULLET NETWORK CAMERA



Explore our B7Z2812IP5MP-AI-N security camera, an innovation in surveillance designed to enhance your security measures. Equipped with a motorized lens and a 5MP resolution, this camera provides exceptionally sharp high-definition images, ensuring outstanding clarity at every moment. With audio input/output and alarm functions, it offers comprehensive surveillance and communication features. Its advanced AI capabilities enable intelligent detection, distinguishing ordinary movements from potential threats. Easily connect via P2P for a hassle-free setup and receive instant notifications on your device, keeping you informed of any detected activity in real-time.



## B7Z2812IP5MP-AI-N



5MP RESOLUTION



2.7-13.5MM  
MOTORIZED LENS



IR UP TO 45M



ALARM/AUDIO  
IN/OUT



IP66  
DUSTPROOF &  
WATER-RESISTANT



MICRO SD CARD  
SLOT UP TO 256 GB





## VIDEO

IMAGING DEVICE	1/2.7"
EFFECTIVE PIXELS	5MP 2592(H)×1944(V)
SCANNING SYSTEM	Progressive CMOS
MIN. ILLUMINATION	Color 0.05lux @ F1.2(AGC ON) ; B/W 0 lux @ IR ON

## LENS TYPE

FOCAL LENGTH (ZOOM RATIO)	2.7 - 13.5mm
MAX. APERTURE RATIO	F No. 1.83 (W) ~ 3.32(T)
ANGULAR FIELD OF VIEW	Horizontal: 31 ~102°, Vertical: 23 ~ 73°, Diagonal: 38 ~ 138°
MIN. OBJECT DISTANCE	0.2M-INF
LENS TYPE	Motorized (Ø14)

## OPERATIONAL

IR VIEWABLE LENGTH	Up to 45m
CAMERA TITLE	Show/Hide
DAY & NIGHT	IR cut filter with auto switch (Day/Night/Auto/Schedule)
BACKLIGHT COMPENSATION	Off/On (5 Zones)
WIDE DYNAMIC RANGE	WDR
DIGITAL NOISE REDUCTION	3D DNR
MOTION DETECTION	Off/On (8 Levels)
PRIVACY MASKING	Off/On (4 Zones, Rectangle)
GAIN CONTROL	Auto
WHITE BALANCE	Auto/Manual/Indoor
ELECTRONIC SHUTTER SPEED	1/5 ~ 1/20000s
FLIP / MIRROR	Flip/Rotation
ON-BOARD STORAGE	Micro SD slot, up to 256GB
ALARM	1 input, 1 output
AUDIO	1 input (RCA), 1 output (RCA)
HARDWARE RESET	Yes

**SMART FEATURES** Perimeter Intrusion Detection (PID), Face Detection (FD), Stationary Object Detection (SOD), Crowd Density Detection (CD), Human&Vehicle Detection (PD&VD), Line Crossing Detection (LCD), Queue Length Detection (QD), Heat Map (HM), Cross Counting (CC)

## NETWORK

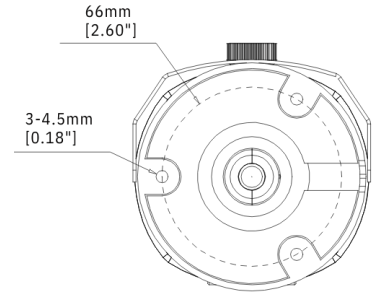
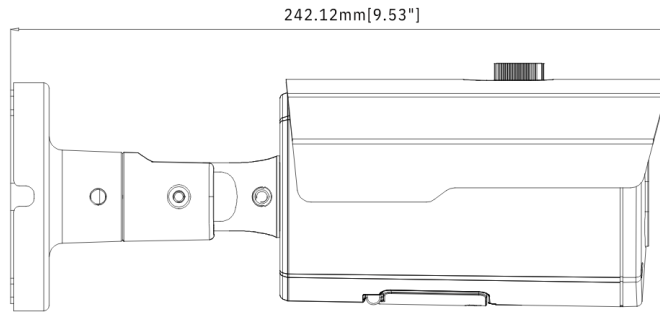
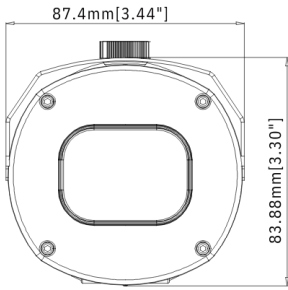
ETHERNET	RJ45(10/100BASE-T)
VIDEO COMPRESSION FORMAT	H.265/H.264
RESOLUTION	<p><b>Mainstream</b> 5MP(2592×1944), 4MP(2592×1520), 3MP(2304×1296), 1080P(1920×1080), 960P(1280×960), 720P(1280×720)</p> <p><b>Substream</b> 720P(1280×720), VGA(640×480), QVGA(320×240)</p> <p><b>Mobilestream</b> VGA(640×480), QVGA(320×240)</p>
MAX. FRAMERATE	50Hz: 25fps@5MP/4MP/3MP/2MP/960P/720P/VGA/QVGA 60Hz: 30fps@5MP/4MP/3MP/2MP/960P/720P/VGA/QVGA
VIDEO QUALITY ADJUSTMENT	8Kbps ~ 8Mbps
BITRATE CONTROL METHOD	CBR/VBR
STREAMING CAPABILITY	Triple-Stream(Main/Sub/Mobile)
IP	IPv4
PROTOCOL	TCP/IP,HTTP,DHCP,DNS,DDNS,RTP/RTSP,PPPoE, SMTP,NTP,UPnP,SNMP,HTTPS,FTP,
SECURITY	IP address filter:complicated password: Authenticated username and password
STREAMING METHOD	Unicast/Multicast
MAX. USER ACCESS	Max 7 (admin+user)
APPLICATION PROGRAMMING INTERFACE	ONVIF( Profile S/G/T)
COMPATIBLE WEB BROWSERS	IE8,9,10,11, Chrome 44/lower, Firefox 51/lower, Safari 11/lower

## GENERAL

OPERATING CONDITIONS	-40~+55°C/less than ≤ 95% RH
STORAGE CONDITIONS	-40~+60°C/less than ≤ 95% RH
INGRESS PROTECTION	IP66
INPUT VOLTAGE / CURRENT	D12V/POE(IEEE802.3af)
POWER CONSUMPTION (IR OFF)	3.5W/4.5W
POWER CONSUMPTION (IR ON)	7.5W/9.5W
COLOR / MATERIAL	White/Metal
DIMENSION (WXHXD)	Ø87.4x242.12mm
WEIGHT	appr 830g



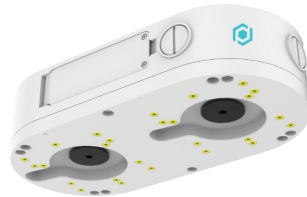
## DIMENSIONS



## ACCESSORIES



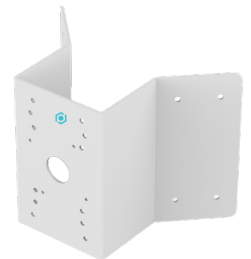
**CMB6-EXT-120**  
EXTENDABLE CEILING MOUNT BRACKET



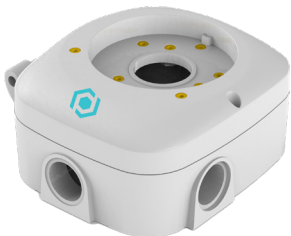
**DBASEC**  
DOUBLE JUNCTION BOX



**PMB6**  
POLE MOUNT BRACKET



**COMB6**  
CORNER MOUNT BRACKET



**B6BASE1**  
JUNCTION BOXES



**DBASEX**  
DOUBLE JUNCTION BOX



**EXT-4POE**  
4 PORTS POE EXTENDER



**IPC0AX-300M**  
IP OVER COAX EXTENDER