

# X SERIES NETWORK CAMERA



Discover the XB7ZTV2812IP5MP-AI, a high-performance security camera featuring a 5 MP resolution, an impressive 50-meter infrared (IR) range, and a motorized 2.8-12 mm lens for flexible focus and zoom adjustments. This camera excels in low-light conditions, showcasing exceptional sensitivity with a noted low-light capability of 0.002 lux. Going beyond standard features, it incorporates red and blue deterrent lights, alarm input/output, audio input/output, a built-in microphone, along with the additional advantage of 4 infrared LEDs and 4 warm lights to enhance surveillance capabilities in the dark. This security camera represents a powerful solution addressing all your security needs.



## XB7ZATV2812IP5MP-AI



5MP RESOLUTION



2.8-12MM  
MOTORIZED LENS



IR UP TO 50M



DETERRENCE LIGHTS  
AND SIREN



TWO-WAY  
COMMUNICATION



SEE COLOR AT NIGHT



WATERPROOF &  
DUST-TIGHT



ALARM/AUDIO  
IN/OUT



MICRO SD CARD  
SLOT UP TO 256 GB

## VIDEO

IMAGING DEVICE	1/2.7"
EFFECTIVE PIXELS	5MP 2880 (H) x1620 (V)
SCANNING SYSTEM	Progressive CMOS
MIN. ILLUMINATION	Color 0.002lux @ F1.0(AGC ON) ; B/W 0 lux @ IR ON

## LENS

FOCAL LENGTH (ZOOM RATIO)	2.8-12mm
MAX. APERTURE RATIO	F No. 1.2
ANGULAR FIELD OF VIEW	H:113(W)-35(T)° V:59(W)-20(T)° D:138(W)-41(T)°
MIN. OBJECT DISTANCE	1.5m
LENS TYPE	Motorized Ø16.7

## OPERATIONAL

IR LED	4
WARMLIGHT	4
RED AND BLUE LIGHT	2 (1Red & 1 Blue)
IR VIEWABLE LENGTH	Up to 50m
WARMLIGHT VIEWABLE LENGTH	Up to 30m
TYPE OF COMPLEMENTARY LIGHT	Default warm light, switchable infrared light
MOTION DETECTION	Off/On (8 Level)
WIDE DYNAMIC RANGE	WDR
DIGITAL NOISE REDUCTION	3D DNR
IMAGE SETTING	Day&Night Mode/Full Color Mode/Schedule
WHITE BALANCE	Auto/Manual
ELECTRONIC SHUTTER SPEED	1/5 ~ 1/20000s
ON-BOARD STORAGE	Micro SD slot, up to 256GB
ALARM	1 input, 1 output
AUDIO	Built-in microphone & Speaker; 1 input (RCA), 1 output (RCA)
CUSTOM VOICE	Yes
HARDWARE RESET	Yes
SMART FEATURES	Rare Sound Detection (SD) , Perimeter Intrusion Detection (PID), Face Detection (FD), Stationary Object Detection (SOD), Crowd Density Detection (CD), Human&Vehicle Detection (PD&VD), Line Crossing Detection (LCD), Queue Length Detection (QD), Heat Map (HM), Cross Counting (CC), License Plate Detection (LPD)

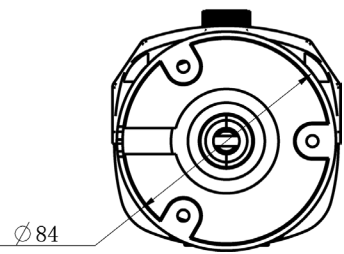
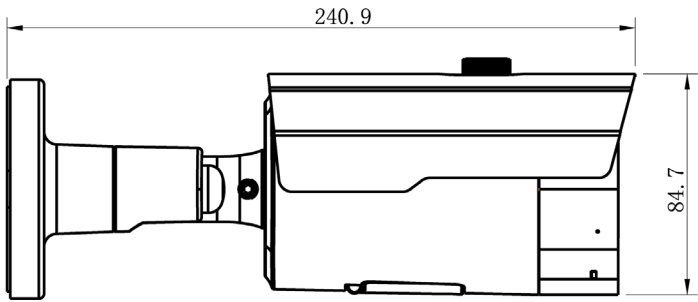
## NETWORK

ETHERNET	RJ45(10/100BASE-T)
VIDEO COMPRESSION FORMAT	H.265/H.264
RESOLUTION	<p>Mainstream @30fps 5MP(2880x1620), 4MP(2560x1440) 3MP(2304x1296), 1080P(1920x1080), 720P(1280x720)</p> <p>Substream @30fps 720P(1280x720),VGA(640x480),QVGA(320x240)</p> <p>Mobile Stream @30fps VGA (640x480), QVGA (320x240)</p>
VIDEO QUALITY ADJUSTMENT	256Kbps ~ 8Mbps
BITRATE CONTROL METHOD	CBR/VBR
IP	IPv6
PROTOCOL	TCP/IP,HTTP,DHCP,DNS,DDNS,RTP/RTSP,SMTP,NTP,UPnP,SNMP,HTTPS,FTP
SECURITY	IP address filter:complicated password: Authenticated username and password
APPLICATION PROGRAMMING INTERFACE	ONVIF( Profile S/G/T)
COMPATIBLE WEB BROWSERS	IE10/11, Safari V12.1 above, Firefox V.52 above Google chrome V.57 above, Edge V.79 above

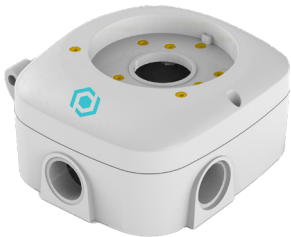
## GENERAL

OPERATING CONDITIONS	-35 ~ +60°C/less than ≤ 95% RH
INGRESS PROTECTION	IP67
INPUT VOLTAGE / CURRENT	D12V/POE(IEEE802.3af)
POWER CONSUMPTION	DC12V: max 8.6W; POE (48V): max 10.3W
COLOR/MATERIAL	White/Metal
DIMENSION (WXHXD)	240*86*88mm
WEIGHT	Appr. 700g

# DIMENSIONS



# ACCESSORIES



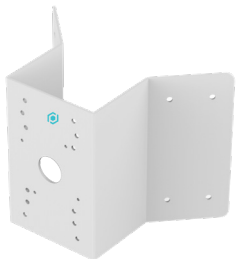
**B6BASE1**  
JUNCTION BOX



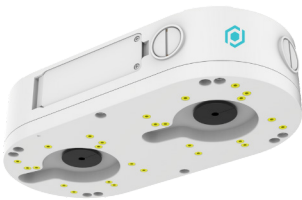
**CMB6-EXT-120**  
EXTENDABLE CEILING MOUNT BRACKET



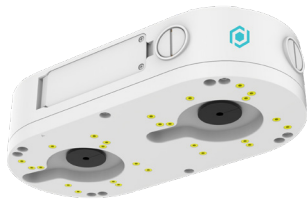
**PMB6**  
POLE MOUNT BRACKET



**COMB6**  
CORNER MOUNT BRACKET



**DBASEC**  
DOUBLE JUNCTION BOX



**DBASEX**  
DOUBLE JUNCTION BOX



**EXT-4POE**  
4 PORTS POE EXTENDER



**IPC0AX-300M**  
IP OVER COAX EXTENDER

2024 Global Surveillance Distribution, G.S.D Group and G.S.D are registered trademarks of Global Surveillance Distribution Group, Inc. in Canada and / or other countries. We reserve the right to change the design and specifications of the product Without notice and without incurring any obligation.