

MODEL #

D2Z288IP5MP-AI



# MINI DOME NETWORK CAMERA



**5MP**  
RESOLUTION



**5MP**  
Resolution

**2.8-8MM**  
Motorized Lens



**IR Up to 30M**

**Built-In**  
Microphone



**True WDR**

**IK10 Impact**  
Resistant



**IP67**  
Waterproof  
& Dust-tight

**Micro SD Card**  
Slot up to **1TB**

Explore surveillance excellence with the **D2Z288IP5MP-AI** camera, featuring a remarkable 5 MP resolution and a motorized 2.8-8 mm lens for unparalleled installation flexibility. The inclusion of a remote control facilitates convenient zoom and focus adjustments, while its 25-meter infrared range ensures optimal visibility in low-light conditions. With advanced artificial intelligence features simplifying video surveillance and analysis, this camera elevates security measures. Opt for the D2Z288IP5MP-AI to confidently meet your surveillance needs with exceptional image quality and advanced capabilities, providing reliable and comprehensive protection for your spaces.

**VIDEO**

<b>Imaging Device</b>	1/2.7"
<b>Effective Pixels</b>	5MP 2880(H) x 1620(V)
<b>Scanning System</b>	Progressive CMOS
<b>Min. Illumination</b>	Color 0.004lux @ F1.6(AGC ON), B/W 0 lux @ IR ON

**LENS TYPE**

<b>Focal Length (Zoom Ratio)</b>	2.8 mm to 8 mm
<b>Max. Aperture Ratio</b>	F No. 1.8 (W) ~ 2.74(T)
<b>Angular Field of View</b>	Horizontal: 109-58°, Vertical: 57-26°, Diagonal: 136-54°
<b>Min. Object Distance</b>	0.8M~INF (W) 1.3M~INF (T)
<b>Lens Type</b>	Motorized(Ø14)

**OPERATIONAL**

<b>IR viewable length</b>	Up to 30m
<b>Camera Title</b>	Show/Hide
<b>Day &amp; Night</b>	IR cut filter with auto switch (Day/Night/Auto/Image/Schedule)
<b>Backlight Compensation</b>	Off/On (5 Zones)
<b>Wide dynamic range</b>	WDR
<b>Digital Noise Reduction</b>	3D DNR
<b>Motion Detection</b>	Off/On (8 Levels)
<b>Privacy Masking</b>	Off/On (5 Zones, Rectangle)
<b>Gain Control</b>	Auto
<b>White Balance</b>	Auto/Manual
<b>Electronic Shutter Speed</b>	1/5 ~ 1/20000s
<b>On-board Storage</b>	Micro SD slot, up to 1TB
<b>Alarm</b>	N/A
<b>Audio</b>	Built-in microphone
<b>Hardware Reset</b>	Yes
<b>Smart Features</b>	Rare Sound Detection (SD) , Perimeter Intrusion Detection (PID), Face Detection (FD), Stationary Object Detection (SOD), Crowd Density Detection (CD), Human&Vehicle Detection (PD&VD), Line Crossing Detection (LCD), Queue Length Detection (QD), Heat Map (HM), Cross Counting (CC), License Plate Detection (LPD)

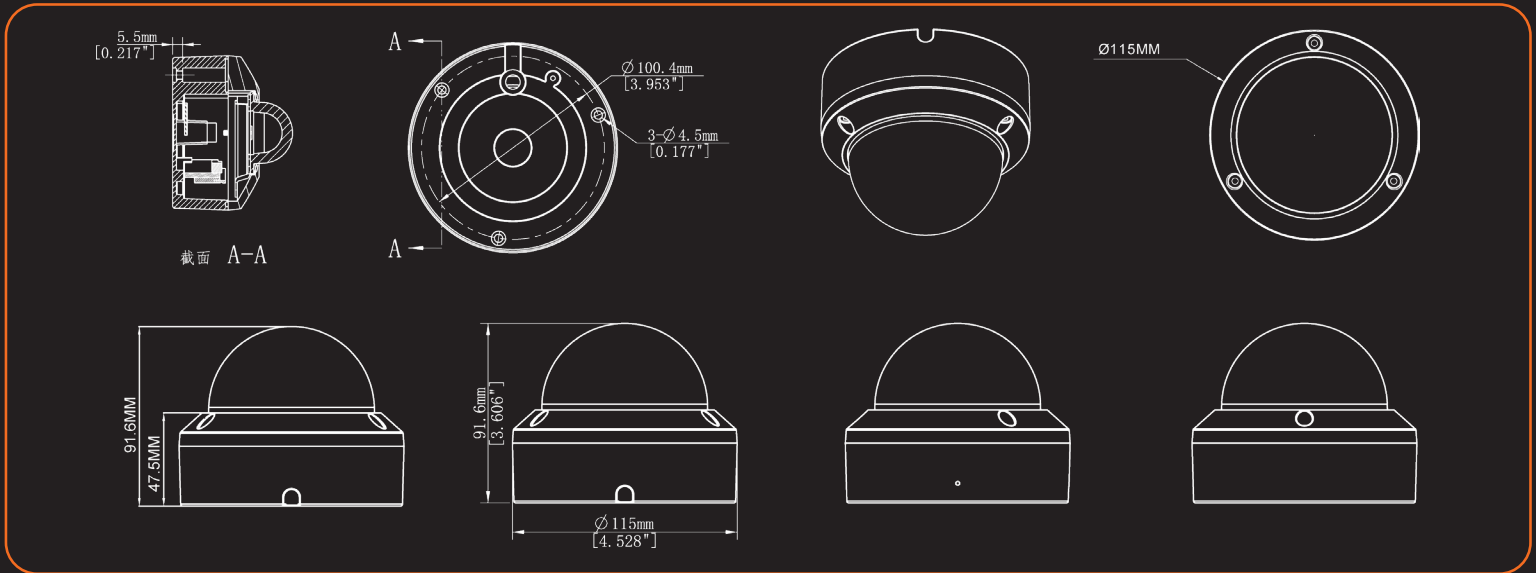
**NETWORK**

<b>Ethernet</b>	RJ45(10/100BASE-T)
<b>Video Compression Format</b>	H.265/H.264/ H.265+/H.264+
<b>Resolution</b>	<b>Mainstream @30fps</b> 5MP(2880x1620),4MP(2592x1520) 3MP(2304x1296),1080P(1920x1080) 720P(1280x720) <b>Substream @30fps</b> 720P(1280x720),VGA(640x480),QVGA(320x240) <b>Mobile Stream @30fps</b> VGA(640x480), QVGA(320x240)
<b>Video Quality Adjustment</b>	8Kbps ~ 8Mbps
<b>Bitrate Control Method</b>	CBR/VBR
<b>Streaming Capability</b>	Triple-Stream(Main/Sub/Mobile)
<b>Protocol</b>	TCP/IP,HTTP,DHCP,DNS,DDNS,RTP/RTSP,SMTP,NTP,UPnP,SNMP,HTTPS,FTP
<b>Security</b>	IP address filter; complicated password; Authenticated username and password
<b>Streaming Method</b>	Unicast/Multicast
<b>App Programming Interface</b>	ONVIF( Profile S/G/T)
<b>Compatible Web Browsers</b>	IE10/11, Safari V12.1/above, Firefox V.52/above, Google chrome V.57/above, Edge V.79/above

**GENERAL**

<b>Operating Conditions</b>	-35°~ +60°C/less than ≤ 95% RH
<b>Ingress Protection</b>	IP67
<b>Protection rating</b>	IK10
<b>Input Voltage/ Current</b>	D12V/POE (IEEE802.3af)
<b>Power Consumption (IR OFF)</b>	2W-3W
<b>Power Consumption (IR ON)</b>	3.5W-5W
<b>Color/Material</b>	White/Metal
<b>Dimensions (HXWXD)</b>	115*91.6mm
<b>Weight</b>	appr 556g

**DIMENSIONS**



**COMPATIBLE ACCESSORIES**

**CEILING MOUNT SOLUTION**



**CORNER MOUNT SOLUTION**



**POLE MOUNT SOLUTION**



**WALL MOUNT SOLUTION**



**JUNCTION BOX**



DOWNLOAD THE OV CONNECT APP

