

MODEL #

D2FDA36IP12MP-AI



# DOME CAMERA



The **D2FDA36IP12MP-AI** Dome Network Security Camera delivers exceptional image quality with its 12MP resolution, ensuring detailed and clear footage. Equipped with a 3.6mm lens, this camera provides a wide field of view suitable for various surveillance needs. It features infrared capabilities that extend up to 30 meters, allowing for reliable night-time monitoring even in complete darkness. The integrated microphone enables audio recording, enhancing the overall surveillance experience. Built to withstand harsh environmental conditions, the camera is both dustproof and water-resistant, making it ideal for outdoor use. Additionally, it includes a microSD card slot that supports up to 256GB, providing ample storage for recorded footage.

**12MP**  
RESOLUTION



**12MP**  
Resolution

**3.6MM** Lens



**IR Up to 30M**

**Built-In**  
Microphone



**IP67**  
Waterproof  
& Dust-tight

**Micro SD Card**  
Slot up to **1TB**

**VIDEO**

<b>Imaging Device</b>	1/2.3"
<b>Effective Pixels</b>	12MP 4096(H)×3072(V)
<b>Scanning System</b>	Progressive CMOS
<b>Min. Illumination</b>	Color 0.01lux @ F1.6(AGC ON) ; B/W 0 lux @ IR ON

**LENS TYPE**

<b>Focal Length (Zoom Ratio)</b>	3.6 mm
<b>Max. Aperture Ratio</b>	F No. 1.6
<b>Angular Field of View</b>	Horizontal: 87°, Vertical: 63°, Diagonal: 115°
<b>Min. Object Distance</b>	2M
<b>Lens Type</b>	Fixed (M12)

**OPERATIONAL**

<b>IR viewable length</b>	Up to 30m
<b>Camera Title</b>	On/Off
<b>Day &amp; Night</b>	IR cut filter with auto switch (Day/Night/Auto/Image/Schedule)
<b>Backlight Compensation</b>	Off/On (5 Zones)
<b>Wide dynamic range</b>	DWDR
<b>Digital Noise Reduction</b>	3D DNR
<b>Motion Detection</b>	Off/On (8 Level)
<b>Privacy Masking</b>	Off/On (4 Zone, Rectangle)
<b>Gain Control</b>	Auto
<b>White Balance</b>	Auto/Manual
<b>Electronic Shutter Speed</b>	1/5 ~ 1/20000s
<b>On-board Storage</b>	Micro SD slot, up to 1TB
<b>Alarm</b>	N/A
<b>Audio</b>	Built-in microphone
<b>Hardware Reset</b>	Yes
<b>AI Features</b>	Face Recognition, Pedestrian & Vehicle , Perimeter Intrusion , Line Crossing , Object Detection, Crossing Counting, Heat Map, Crowd Density , Queue Length , License Plate, Rare Sound, Intrusion, Region Entrance, Region Exiting

**NETWORK**

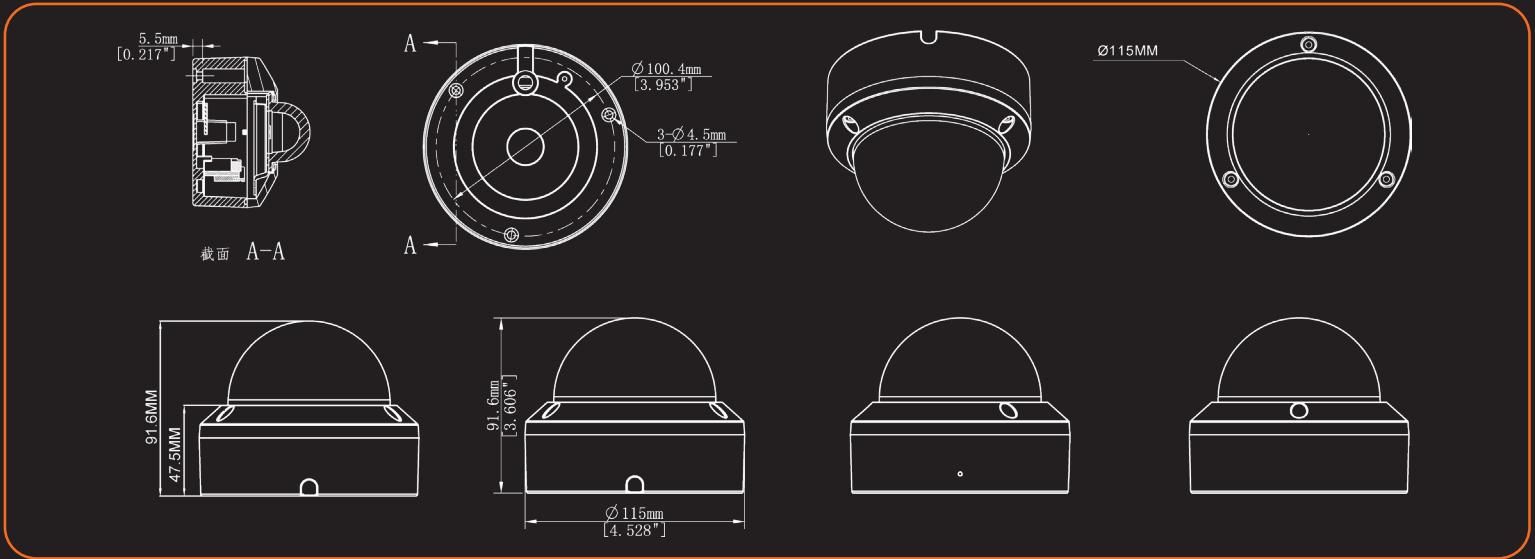
<b>Ethernet</b>	RJ45(10/100BASE-T)
<b>Video Compression Format</b>	H.265/H.264
<b>Resolution</b>	<b>Mainstream @30fps</b> 12MP (4096x3072)@15fps, 8MP (3840x2160)@25fps, 5MP (2592x1944,3072x1728)@25fps, 4MP (2592x1520)@25fps, 3MP (2304x1296)@25fps, 1080P (1920x1080)@25fps <b>Substream @30fps</b> 1080P (1920x1080), 720P (1280x720), VGA (640x480), QVGA (320x240) <b>Mobile Stream @30fps</b> VGA (640x480), QVGA (320x240)
<b>Video Quality Adjustment</b>	256Kbps ~ 16Mbps
<b>Bitrate Control Method</b>	CBR/VBR
<b>Streaming Capability</b>	Triple-Stream(Main/Sub/Mobile)
<b>Protocol</b>	TCP/IP, HTTP, DHCP, DNS, DDNS, RTP/RTSP, SMTP, NTP, UPnP, SNMP, HTTPS, FTP
<b>Security</b>	IP address filter; complicated password; Authenticated username and password
<b>Streaming Method</b>	Unicast/Multicast
<b>App Programming Interface</b>	ONVIF( Profile S/G/T/M)

**GENERAL**

<b>Operating Conditions</b>	-35°~+60°C/less than ≤ 90% RH
<b>Waterproof</b>	IP67
<b>Input Voltage/ Current</b>	D12V/POE(IEEE802.3af)
<b>Material</b>	Metal
<b>Dimensions</b>	115*91.6mm
<b>Weight</b>	appr 556g

\*\*PLEASE NOTE THAT 12MP RESOLUTION IS ONLY AVAILABLE ON THE FOLLOWING NVRS: GSD-NVRFNC6K-16-N, GSD-NVRFNC4K-64NP-N AND GSD-NVRFNC4K-256NP\*\*

**DIMENSIONS**



**COMPATIBLE ACCESSORIES**

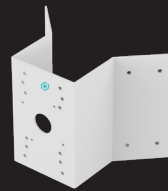
**CEILING MOUNT SOLUTION**



**CMB6-G**  
CEILING MOUNT

**D2BASE1-G**  
PENDANT

**CORNER MOUNT SOLUTION**



**COMB6**  
CORNER MOUNT BRACKET

**POLE MOUNT SOLUTION**



**PMB6**  
POLE MOUNT BRACKET

**WALL MOUNT SOLUTION**



**WMB2**  
WALLMOUNT BRACKET

**WMB6**  
WALLMOUNT BRACKET

**D2BASE1-G**  
PENDANT

**JUNCTION BOX**



**D2BASE1**  
JUNCTION BOX

DOWNLOAD THE OV CONNECT APP

