

DOME NETWORK CAMERA



Onvif®
CMS

NDA
Compliant

Explore our cutting-edge security camera, the D6Z2812IP5MP-AI-L, delivering unmatched surveillance capabilities. With its precise 5 MP resolution, every detail is captured in crystal-clear quality. The P2P connection ensures seamless remote access for monitoring your property from any location. Featuring alarm and audio inputs/outputs, this camera offers a comprehensive security solution. Receive instant notifications on your mobile device, staying informed of real-time suspicious activity. Leverage artificial intelligence for advanced threat identification. Make an investment in security with our 5 MP camera, equipped with state-of-the-art artificial intelligence for heightened protection.



D6Z2812IP5MP-AI-L



5MP RESOLUTION



2.8-12MM
MOTORIZED LENS



IR UP TO 30M



TRUE WDR



ALARM/AUDIO
IN/OUT



IMPACT RESISTANT



MICRO SD CARD SLOT UP TO 256GB



WATERPROOF AND DUST-TIGHT

VIDEO	
IMAGING DEVICE	1/2.7"
EFFECTIVE PIXELS	5MP 2880(H) x 1620(V)
SCANNING SYSTEM	Progressive CMOS
MIN. ILLUMINATION	Color 0.004lux @ F1.6(AGC ON) ; B/W 0 lux @ IR ON

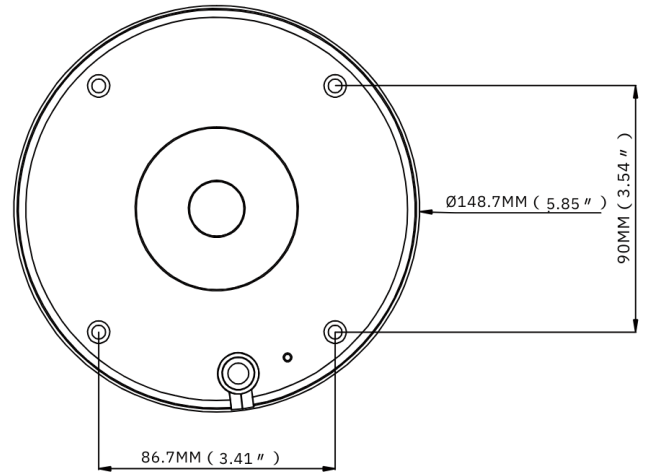
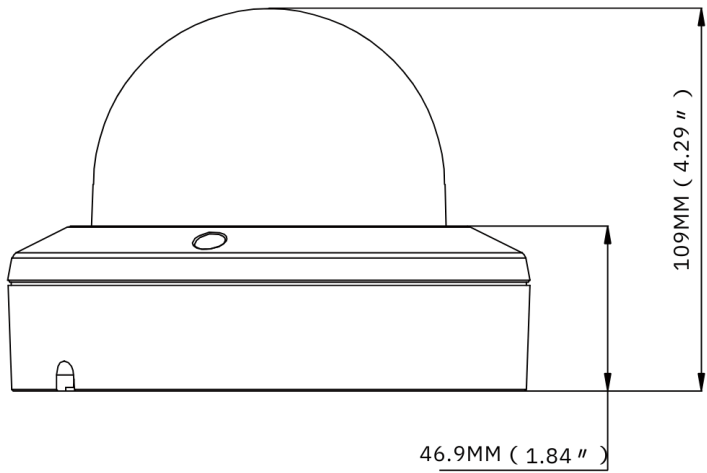
LENS TYPE	
FOCAL LENGTH (ZOOM RATIO)	2.8-12mm
MAX. APERTURE RATIO	F No. 1.8(W) ~ 3.3(T)
ANGULAR FIELD OF VIEW	Horizontal: 107-34°, Vertical: 55-19°, Diagonal: 134-38°
MIN. OBJECT DISTANCE	0.2m-INF
LENS TYPE	Motorized(Ø14)

OPERATIONAL	
IR VIEWABLE LENGTH	Up to 30m
CAMERA TITLE	Show/Hide
DAY & NIGHT	IR cut filter with auto switch (Day/Night/Auto/Image/Schedule)
BACKLIGHT COMPENSATION	Off/On (5 Zones)
WIDE DYNAMIC RANGE	WDR
DIGITAL NOISE REDUCTION	3D DNR
MOTION DETECTION	Off/On (8 Levels)
PRIVACY MASKING	Off/On (4 Zones, Rectangle)
GAIN CONTROL	Auto
WHITE BALANCE	Auto/Manual
ELECTRONIC SHUTTER SPEED	1/5 ~ 1/20000s
ON-BOARD STORAGE	Micro SD slot, up to 256GB
ALARM	1 input, 1 output
AUDIO	1 input (RCA), 1 output (RCA)
HARDWARE RESET	Yes
SMART FEATURES	Perimeter Intrusion Detection (PID), Line Crossing Detection (LCD), Stationary Object Detection (SOD), Human&Vehicle Detection (PD&VD), Face Detection (FD), Cross Counting (CC), Crowd Density Detection (CD), Queue Length Detection (QD), Heat Map (HM).

NETWORK	
ETHERNET	RJ45(10/100BASE-T)
VIDEO COMPRESSION FORMAT	H.265/H.264
RESOLUTION	Mainstream@30fps 5MP(2880x1620), 4MP(2560x1440) 3MP(2304x1296), 1080P(1920x1080), 720P(1280x720) Substream@30fps 720P(1280x720),VGA(640x480),QVGA(320x240) Mobilestream@30fps VGA(640x480), QVGA(320x240)
VIDEO QUALITY ADJUSTMENT	256Kbps ~ 8Mbps
BITRATE CONTROL METHOD	CBR/VBR
STREAMING CAPABILITY	Triple-Stream(Main/Sub/Mobile)
PROTOCOL	TCP/IP,HTTP,DHCP,DNS,DDNS,RTP/RTSP, SMTP,NTP,UPnP,SNMP,HTTPS,FTP
SECURITY	IP address filter; complicated password; Authenticated username and password
STREAMING METHOD	Unicast/Multicast
APP PROGRAMMING INTERFACE	ONVIF(Profile S/G/T)
COMPATIBLE WEB BROWSERS	IE10/11, Safari V12.1/lower, Firefox V.52/lower, Google chrome V.57/lower, Edge V.79/lower

GENERAL	
OPERATING CONDITIONS	-35~+60°C/less than ≤ 95% RH
INGRESS PROTECTION	IP67
PROTECTION RATING	IK10
INPUT VOLTAGE / CURRENT	D12V/POE(IEEE802.3af)
POWER CONSUMPTION (IR OFF)	3W/4W
POWER CONSUMPTION (IR ON)	5W/7W
COLOR/MATERIAL	White/Metal
DIMENSIONS (HXWXD)	Ø148.7x109mm
WEIGHT	appr 972g

DIMENSIONS



ACCESSORIES



OR



EB3BASE3
JUNCTION BOX

WMB5
WALLMOUNT BRACKET



+



OR



EB3BASE3-G
PENDANT

WMB6
WALLMOUNT BRACKET

CMB6-G
CEILING MOUNT BRACKET



PMB6
POLE MOUNT BRACKET



COMB6
CORNER MOUNT BRACKET



CMB6-EXT-150
EXTENDABLE CEILING MOUNT BRACKET



D6-CAP
PROTECTION CAP



IPCOAX-300M
IP OVER COAX EXTENDER