

X SERIES PANORAMIC BALL



Introducing the XT1FPAN20IP8MP-AI, a Panoramic Ball Camera - your ultimate surveillance solution! With an 8MP resolution, and a 180 degree horizontal view this camera captures crystal-clear footage and boasts the innovative TotalView feature, allowing color vision even in the darkest of nights. Its two-way communication ensures seamless interaction, while deterrent lights and AI features heighten security. Connect effortlessly through P2P for instant notifications and peace of mind. Get comprehensive surveillance in one sleek device!



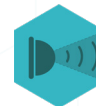
XT1FPAN20IP8MP-AI



8MP RESOLUTION



2.0MM LENS



IR UP TO 25M



180° PANORAMIC VIEW



DETERRENCE LIGHTS



SEE IN COLOR AT NIGHT



MICROPHONE & SPEAKER



DUSTPROOF & WATER-RESISTANT



MICRO SD CARD SLOT UP TO 256GB



XT1FPAN20IP8MP-AI



VIDEO

IMAGING DEVICE	1/2.8"
EFFECTIVE PIXELS	8MP 3840(H) × 2160(V)
SCANNING SYSTEM	Progressive CMOS
MIN. ILLUMINATION	Color 0.007lux @ F1.0(AGC ON) ; B/W 0 lux @ IR ON

LENS

FOCAL LENGTH (ZOOM RATIO)	2.0 mm
MAX. APERTURE RATIO	F No. 2.4
ANGULAR FIELD OF VIEW	Horizontal: 180°; Vertical: 91°; Diagonal: 180°
MIN. OBJECT DISTANCE	0.6m
LENS TYPE	M12

OPERATIONAL

IR LED	2
WARMLIGHT	2
IR VIEWABLE LENGTH	Up to 25m
WARMLIGHT VIEWABLE LENGTH	Up to 15m
BACKLIGHT COMPENSATION	Off/On (5 Zone)
WIDE DYNAMIC RANGE	WDR
DIGITAL NOISE REDUCTION	3D DNR
MOTION DETECTION	Off/On (8 Level)
IMAGE SETTINGS	Day&Night Mode/Full Color Mode/Schedule
PRIVACY MASKING	Off/On (4 Zone, Rectangle)
GAIN CONTROL	Auto
WHITE BALANCE	Auto/Manual
ELECTRONIC SHUTTER SPEED	1/5 - 1/20000s
ON-BOARD STORAGE	Micro SD slot, up to 256GB
ALARM	Built-in red & blue deterrence lights
AUDIO	Built-in microphone, speaker
HARDWARE RESET	Yes
AI FEATURES	PID,LCD,PD/VD,SOD,CC,Heat MAP,RSD

NETWORK

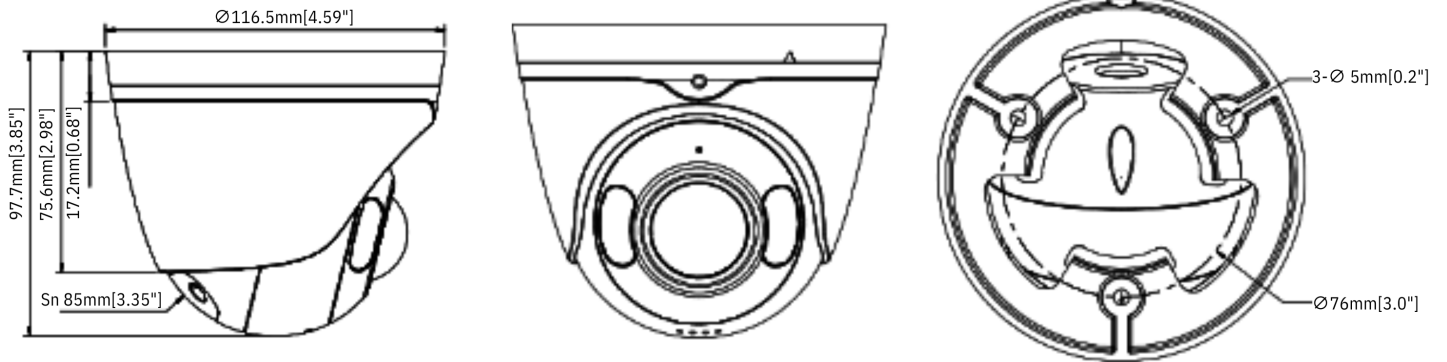
ETHERNET	RJ45(10/100BASE-T)
VIDEO COMPRESSION FORMAT	H.265/H.264
RESOLUTION	Main Stream 50/60Hz @ 20fps,8MP(3840x2160),5MP(2592x1944,3072x1728), 4MP(2592x1520),3MP(2304x1296),1080P(1920x1080), 960P(1280*960),720P(1280x720), Sub Stream 50/60Hz @ 20fps,720P(1280x720),VGA(640x480) Mobile Stream 50/60Hz @ 20fps,VGA(640x480)
VIDEO QUALITY AJUSTMENT	256Kbps ~ 16Mbps
BITRATE CONTROL METHOD	CBR/VBR
STREAMING CAPABILITY	Triple-Stream(Main/Sub/Mobile)
IP	IPv4/IPv6
PROTOCOL	TCP/IP,HTTP,DHCP,DNS,DDNS,RTP/RTSP, SMTP,NTP,UPnP,SNMP,HTTPS,FTP
SECURITY	IP address filter:complicated password; Authenticated username and password
STREAMING METHOD	Unicast/Multicast
APPLICATION PROGRAMMING INTERFACE	ONVIF(Profile S/G/T)
WEB VIEWER	IE10/11, Safari V12.1 above, Firefox V.52 above, Google chrome V.57 above, Edge V.79 above

GENERAL

OPERATING CONDITIONS	-35~+60°C/less than ≤ 95% RH
INGRESS PROTECTION	IP67
INPUT VOLTAGE / CURRENT	D12V/PoE(IEEE802.3af)
POWER CONSUMPTION	Max. 13.1W
MATERIAL	Metal
DIMENSIONS	116.5*97.7mm
WEIGHT	587.5g



DIMENSIONS



ACCESSORIES



WMB2
WALLMOUNT BRACKET



INJPOE25W
25 WATTS POE INJECTOR



EXT-2POE
2 PORTS POE EXTENDER



EXT-4POE
4 PORTS POE EXTENDER