

TURRET HD ANALOG CAMERA

Introducing the T2F28A10-5MP analog security camera, your ultimate surveillance solution. With its impressive 5MP resolution and a precise 2.8mm lens, this camera ensures crystal-clear footage for maximum security coverage. Equipped with infrared technology, it provides night vision capabilities of up to 20 meters, keeping your property safe around the clock. Trust in the reliability and performance of this advanced security camera to safeguard your home or business.



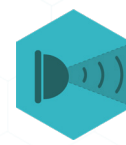
T2F28A10-5MP



5MP RESOLUTION



2.8MM WIDE LENS



IR UP TO 20M



WATERPROOF
AND DUST-TIGHT



TVI-CVI-AHD-960H



POWER 12V/DC

VIDEO

IMAGING DEVICE	1/2.7" Progressive CMOS
TOTAL PIXELS	2608 (H) × 1960 (V)
EFFECTIVE PIXELS	2608 (H) × 1960 (V)
SCANNING SYSTEM	progressive scanning
MIN. ILLUMINATION	Color 0.04lux @ F1.6(AGC ON) ; B/W 0 lux @ IR ON
VIDEO OUTPUT	BNC
RESOLUTION	5MP 2592 (H) × 1944 (V)
MAX. FRAMERATE	5AHD/5TVI: 5MP@20fps 4AHD/4CVI/4TVI:P@25fps N@30fps 2AHD/2CVI/2TVI:P@25fps N@30fps CVBS: 960H
FOCAL LENGTH (ZOOM RATIO)	2.8MM
MAX. APERTURE RATIO	F2.0
ANGULAR FIELD OF VIEW	H:102° / V:57.4° / D:124.4°
MIN. OBJECT DISTANCE	0.8m
LENS TYPE	Fixed lens

LAWS AND REGULATIONS

SAFETY	CE LVD
EMC	CE EMC, FCC
ROHS	RoHS2.0

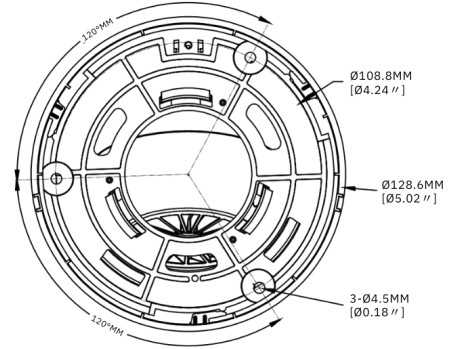
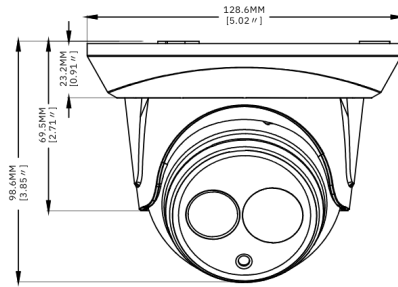
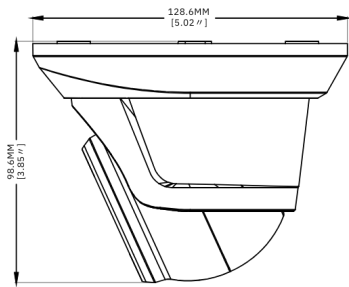
OPERATIONAL

IR DISTANCE	20M
ON SCREEN DISPLAY	English
DAY & NIGHT	Ext / Color / B/W
BACKLIGHT COMPENSATION	Off / User BLC
WIDE DYNAMIC RANGE	D-WDR (Off/On)
DIGITAL NOISE REDUCTION	2D DNR
GAIN CONTROL	Auto
WHITE BALANCE	ATW
ELECTRONIC SHUTTER SPEED	Auto
REVERSE	Mirror
REMOTE CONTROL INTERFACE	ACP (AHD Coax Protocol)
VIDEO TRANSMISSION DISTANCE	MAX 300M (RG-6)

GENERAL

OPERATING TEMPERATURE / HUMIDITY	-30°C ~ 55°C / 90%
INGRESS PROTECTION	IP66
INPUT VOLTAGE / CURRENT	12V DC
POWER CONSUMPTION	IR OFF ≤1W, IR ON ≤4W
DIMENSION	Ø128.6 X 98.6mm
WEIGHT	appr. 450g

DIMENSIONS



ACCESSORIES



EB3BASE4
JUNCTION BOX



WMB5
WALLMOUNT BRACKET



WMB2
WALLMOUNT BRACKET



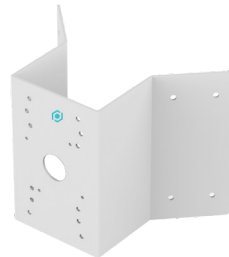
PMB6
POLE MOUNT BRACKET



EB3BASE4-G
PENDANT



WMB6
WALLMOUNT BRACKET



COMB6
CORNER MOUNT BRACKET



BALUNHD
BALUN

2024 Global Surveillance Distribution, G.S.D Group and G.S.D are registered trademarks of Global Surveillance Distribution Group, Inc. in Canada and / or other countries. We reserve the right to change the design and specifications of the product Without notice and without incurring any obligation.