

TURRET HD ANALOG CAMERA

Introducing the TURRET T3Z2812A10-5MP analog security camera, your ultimate surveillance solution. With its impressive 5MP resolution and versatile 2.7-13.5mm lens, every detail is captured with clarity. Experience enhanced night vision with infrared capabilities of up to 35 meters, ensuring round-the-clock protection. Invest in peace of mind with this cutting-edge security camera that blends advanced technology with reliability, providing unparalleled security for your property or business.



T3Z2812A10-5MP



2.7-13.5MM
MOTORIZED LENS



IR UP TO 35M



5MP RESOLUTION



WATERPROOF
AND DUST-TIGHT



TVI-CVI-AHD-960H



POWER 12V/DC

VIDEO

IMAGING DEVICE	1/2.8" Progressive CMOS
TOTAL PIXELS	2704 (H) × 2104 (V)
EFFECTIVE PIXELS	2616 (H) × 1964 (V)
SCANNING SYSTEM	progressive scanning
MIN. ILLUMINATION	Color 0.02lux @ F1.6(AGC ON) ; B/W 0 lux @ IR ON
VIDEO OUTPUT	BNC
RESOLUTION	5MP 2592(H) × 1944(V)
MAX, FRAMERATE	5AHD/5TVI: 5MP@20fps 4AHD/4CVI/4TVI:P@25fps N@30fps 2AHD/2CVI/2TVI:P@25fps N@30fps CVBS: 960H
FOCAL LENGTH (ZOOM RATIO)	2.7-13.5MM
MAX. APERTURE RATIO	F1.8-3.3
ANGULAR FIELD OF VIEW	H:110.6-32.6° / V:57.3-18.3° / D:134.1-37.4°
MIN. OBJECT DISTANCE	0.8m-INF(W),1m-INF(T)
LENS TYPE	Motorized lens

LAWS AND REGULATIONS

SAFETY	CE LVD
EMC	CE EMC, FCC
ROHS	RoHS2.0

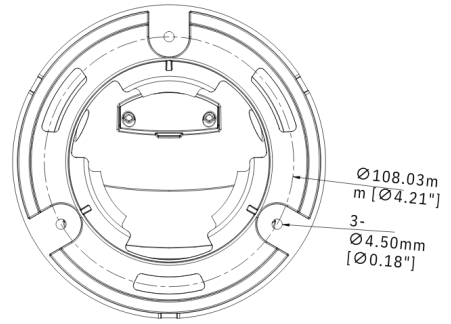
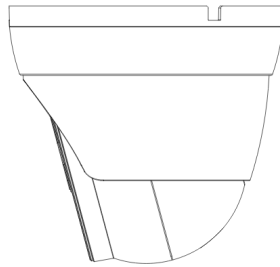
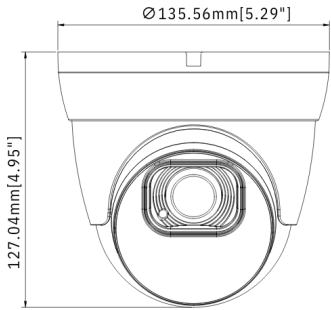
OPERATIONAL

VIEWABLE LENGTH	Up to 35m
ON SCREEN DISPLAY	English
DAY & NIGHT	Ext / Color / B/W
BACKLIGHT COMPENSATION	Off / User BLC
WIDE DYNAMIC RANGE	WDR (Off/On) 120db
DIGITAL NOISE REDUCTION	3D DNR
GAIN CONTROL	Auto
WHITE BALANCE	ATW
ELECTRONIC SHUTTER SPEED	Auto
REVERSE	Mirror
REMOTE CONTROL INTERFACE	ACP (AHD Coax Protocol)
VIDEO TRANSMISSION DISTANCE	MAX 300M (RG-6)

GENERAL

OPERATING TEMPERATURE / HUMIDITY	-30°C ~ 55°C / 90%
INGRESS PROTECTION	IP66
INPUT VOLTAGE / CURRENT	12V DC
POWER CONSUMPTION	IR OFF ≤2W, IR ON ≤6.5W
COLOR / MATERIAL	Metal
DIMENSION (WXHXD)	Ø135.56x127.04mm
WEIGHT	appr. 850g

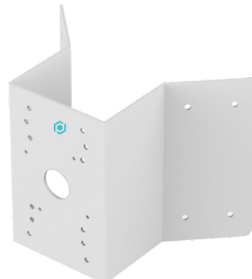
DIMENSIONS



ACCESSORIES



EB3BASE3
JUNCTION BOX



COMB6
CORNER MOUNT BRACKET



PMB6
POLE MOUNT BRACKET



EB3BASE3-G
PENDANT



WMB5
WALLMOUNT BRACKET



BALUNHD
BALUN

2024 Global Surveillance Distribution, G.S.D Group and G.S.D are registered trademarks of Global Surveillance Distribution Group, Inc. in Canada and / or other countries. We reserve the right to change the design and specifications of the product Without notice and without incurring any obligation.