

30W ONVIF SIP NETWORK HORN SPEAKER



Discover our PoE speaker, the SPK-IP30W-POE, revolutionizing audio technology. With an impressive sound output of 105 dB and a frequency range from 400 Hz to 8 kHz, it delivers a superior audio experience. Compliant with SIP and ONVIF standards, this speaker is perfectly compatible with various video management systems. Its distinctive feature lies in its quick startup of less than one second, making it operational whenever you need it. Additionally, it features a built-in microphone, providing increased versatility to meet your audio needs.

 **ONVIF COMPLIANT**

SUPPORTS MP3, WMA AND WAV

SUPPORTS POE .AT

IP67 WATERPROOF DESIGN

COMPATIBLE WITH ONVIF AND SIP

BUILT-IN MICROPHONE

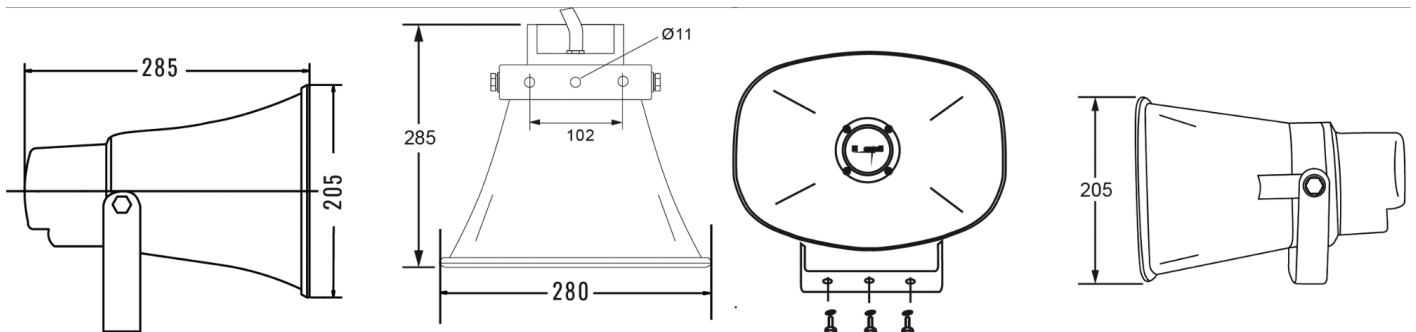
STARTUP IN LESS THAN 1S

CONNECTIONS

RATED POWER	30W
POWER SUPPLY	PoE.at
NETWORK PROTOCOL	SIP, ONVIF
AUDIO DECODING	MP3, WMA, WAV
NETWORK INTERFACE	10/100Base-TX, RJ45
SPEAKER SENSITIVITY	105dB
COVERAGE PATTERN ANGLE	60 degrees horizontal 90 degrees vertical at 2kHz
NETWORK PROTOCOL	SIP, ONVIF, HTTP, IPv4, DHCP, RTSP, RTP, RTCP, TCP, UDP, ARP, FTP, TFTP, NFS, NTP
AUDIO STREAMING	Full echo cancellation
AUDIO SUPPORT	OPUS 48 kHz, MP3 44.1 kHz, G.722 ADPCM 16 kHz, G.711 PCMU 8 kHz, G.711 PCMA 8 kHz
NETWORK SECURITY PROTOCOLS	HTTPS, TLS v1.2/v1.3, host-based firewall
APPROVALS	CE, FCC, Rohs
FREQUENCY RESPONSE	350Hz~8KHz
MATERIAL	ABS
PRODUCT DIMENSION	285 x 205x 290 mm
WEIGHT	Net: 2.30 Kg Gross: 2.70Kg
CONDITION TEMPERATURES	Operating: -30 ° — +60 °, Storage: -40 ° — +70 °



DIMENSIONS



2024 Global Surveillance Distribution, G.S.D Group and G.S.D are registered trademarks of Global Surveillance Distribution Group, Inc. in Canada and / or other countries. We reserve the right to change the design and specifications of the product Without notice and without incurring any obligation.

30W ONVIF SIP NETWORK HORN SPEAKER



Discover our PoE speaker, the SPK-IP30W-POE, revolutionizing audio technology. With an impressive sound output of 105 dB and a frequency range from 400 Hz to 8 kHz, it delivers a superior audio experience. Compliant with SIP and ONVIF standards, this speaker is perfectly compatible with various video management systems. Its distinctive feature lies in its quick startup of less than one second, making it operational whenever you need it. Additionally, it features a built-in microphone, providing increased versatility to meet your audio needs.

 **ONVIF** COMPLIANT

SUPPORTS MP3, WMA AND WAV

COMPATIBLE WITH ONVIF AND SIP

SUPPORTS POE .AT

BUILT-IN MICROPHONE

IP66 WATER RESISTANT DESIGN

STARTUP IN LESS THAN 1S

AUDIO

AUDIO SUPPORT CODEC	OPUS 48 kHz, MP3 44.1 kHz, G.722 ADPCM 16 kHz, G.711 PCMU 8 kHz, G.711 PCMA 8 kHz
BUILT-IN MICROPHONE	Yes
MAX SPL	120dB
FREQUENCY RESPONSE	350Hz-8KHz
FREQUENCY RANGE	500-2KHZ +-10dB 400-12KHZ +-20dB
HARMONIC DISTORTION	0.1@1kHz
SIGNAL TO NOISE RATIO	91dB
COVERAGE PATTERN	60°horizontal 90°vertical (at 2kHz)
AUDIO STREAMING	Full echo cancellation

NETWORK

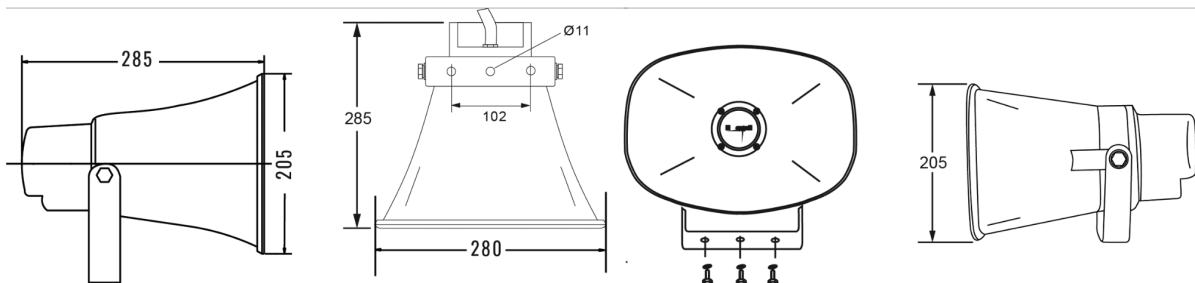
SECURITY	Password protection, IP address filtering, Digest authentication, User access log, firewall
NETWORK PROTOCOL	SIP, ONVIF, HTTP, IPv4, DHCP, RTSP, RTP, RTCP, TCP, UDP, ARP, FTP, TFTP, NTP
NETWORK SECURITY PROTOCOLS	HTTPS, TLS v1.2/v1.3, host-based firewall
NETWORK INTERFACE	10/100 Base-TX, RJ45
VOIP	Support for SIP protocol for intergration with VoIP systems, intergrated with SIP/PBX. 2 SIP Accounts, SIP Direct IP Call, RTP Multicast Codec: OPUS, MP3, G.722, PCMU, PCMA
AMPLIFIER DESCRIPTION	Built-in 30W Amplifier

GENERAL

OPERATING TEMPERATURE	-30°C — +60°C
STORAGE TEMPERATURE	-40°C — +70°C
OPERATING HUMILITY	5%-85%
MATERIAL	ABS (IP66 water-resistant)
RATE POWER	30W
POWER SUPPLY	PoE.at or DC 12V/24V
CONNECTOR	Alarm in, Audio in, DC Power, PoE, TF Card (Optional)
INSTALLATION	Wall Mounted
DIMENSIONS	285*205*290mm
NET WEIGHT	2 KG
LANGUAGES	English
APPROVALS	CE, FCC, Rohs



DIMENSIONS



2024 Global Surveillance Distribution, G.S.D Group and G.S.D are registered trademarks of Global Surveillance Distribution Group, Inc. in Canada and / or other countries. We reserve the right to change the design and specifications of the product Without notice and without incurring any obligation.