

X SERIES PTZ



The XPTZ4XIP8MP-AI X Series PTZ Security Camera is a high-performance surveillance solution designed for comprehensive security needs. With its 8MP resolution, it delivers sharp and detailed images, while the motorized 2.8-12mm lens provides versatile zoom capabilities with 4X optical zoom. The camera excels in various lighting conditions, featuring advanced color night vision and IR capability up to 30 meters to ensure clear images in complete darkness. Integrated deterrence lights help deter potential intruders, and the built-in speaker and microphone enable two-way audio communication. Its robust design is dustproof and water-resistant, making it suitable for both indoor and outdoor environments. This versatile and durable security camera is an ideal choice for enhancing your property's security.



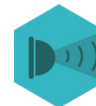
XPTZ4XIP8MP-AI



8MP RESOLUTION



**MOTORIZED LENS
2.8-12MM**



IR UP TO 30M



4X OPTICAL ZOOM



DETERRENCE LIGHTS



**BUILT-IN SPEAKER &
MICROPHONE**



**SEE IN COLOR
AT NIGHT**



**DUSTPROOF &
WATER-RESISTANT**



**MICRO SD CARD
SLOT UP TO 256GB**



CAMERA

IMAGING SENSOR	1/2.7" Progressive Scan CMOS
MAX. RESOLUTION	3840x2160
MIN. ILLUMINATION	Color: 0.009 Lux @ (F1.6, AGC ON), B/W: 0 Lux with IR
SHUTTER SPEED	1/5 s to 1/20000 s
SLOW SHUTTER	Yes
DAY & NIGHT	IR cut filter
ZOOM	4x optical

LENS

FOCAL LENGTH	2.8 mm to 12 mm
FOV	Horizontal field of view: 113° to 31.4° (wide-tele) Vertical field of view: 58.4° to 17.6° (wide-tele) Diagonal field of view: 138.6° to 36° (wide-tele)
APERTURE	Max. F1.6
FOCUS	Auto, manual
SUPPLEMENT LIGHT RANGE	IR Distance: up to 30 m
SUPPLEMENT LIGHT TYPE	IR

PTZ

MOVEMENT RANGE(PAN)	350°
MOVEMENT RANGE(TILT)	0° to 90°
PAN SPEED	Pan speed: configurable from 0.6° to 54°/s
TILT SPEED	Tilt speed: configurable from 0.6° to 52°/s
PRESETS	255 (Preset calls have a limit of 20,000 times)
3D POSITIONING	Yes (without ZOOM in)

IMAGE

DAY/NIGHT SWITCH	Day, Night, Auto, Schedule
IMAGE ENHANCEMENT	BLC, HLC, 3D DNR
WIDE DYNAMIC RANGE (WDR)	DWDR
DEFOG	NA
IMAGE STABILIZATION	NA
IMAGE SETTINGS	Saturation, brightness, contrast, sharpness, Hue and white balance adjustable by client software or web browser
PRIVACY	4 privacy masks

VIDEO

MAIN STREAM	50/60 Hz: 25 fps (3840x2160, 3072x1728, 2592x1944, 2592x1520, 2304,1296, 1920x1080, 1280x960, 1280x720)
SUB-STREAM	50/60 Hz: 25 fps (1280x720, 640x480, 320x240)
THIRD STREAM	50/60 Hz: 25 fps (640x480,320x240)
VIDEO COMPRESSION	Main stream: H.265+/H.265/H.264+/H.264 Sub-stream: H.265+/H.265/H.264+/H.264/MJPEG Third stream: H.265+/H.265/H.264+/H.264
VIDEO BIT RATE	8 kbps to 16384kbps
H.264 TYPE	Baseline Profile/Main Profile/High Profile
H.265 TYPE	Main Profile
REGION OF INTEREST (ROI)	NA
AUDIO COMPRESSION	G.711a/G.711u

NETWORK

PROTOCOLS	IPv4/IPv6, HTTP, HTTPS, FTP, SMTP, UPnP, SNMP, DNS, DDNS, NTP, RTSP, TCP/IP, UDP, DHCP, PPPoE
API	Onvif (Profile S, Profile G, Profile T),Http API
SIMULTANEOUS	Live View Up to 15 channels
USER/HOST	5 User
SECURITY	Password protection, complicated password, HTTPS encryption, IP address filter, control timeout settings
CLIENT	VMS
WEB BROWSER	IE11, Chrome 57+, Firefox 52+, Safari 11+

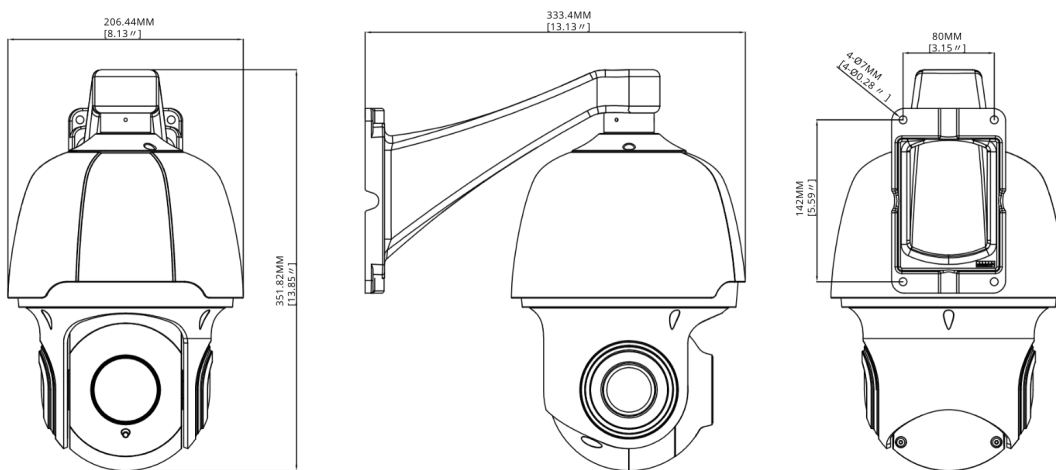
EVENT

BASIC EVENT	Motion detection
DEEP LEARNING FUNCTION	Face Recognition, Human & Vehicle Detection, Perimeter Intrusion Detection, Line Crossing Detection, Stationary Object Detection, Crossing Counting, Heat Map, Crowd Density Detection, Queue Length Detection, License Plate Detection
SMART TRACKING	NA
ALARM LINKAGE	Upload to FTP, send email, trigger recording, audible warning, lights flashing

INTERFACE	
ETHERNET INTERFACE	1 RJ45 10M/100M self-adaptive Ethernet port
ON-BOARD STORAGE	Built-in memory card slot, support microSD/SDHC/SDXC card, up to 256 GB
ALARM	Built-in red & blue flashing lights
AUDIO	1 built-in MIC
RESET	Yes
BUILT-IN SPEAKER	1 built-in speaker

GENERAL	
POWER	DC 12V/POE, max. 13 W
OPERATING CONDITION	-30 °C to 60 °C (-22 °F to 149 °F) Humidity 90% or less (non-condensing)
MATERIAL	Plastic
DIMENSION	Ø 166.75 mm × 238 mm (Ø 6.56" × 9.37")
WEIGHT	Approx. 0.92 kg (2 lb.)
PROTECTION	IP66

DIMENSIONS



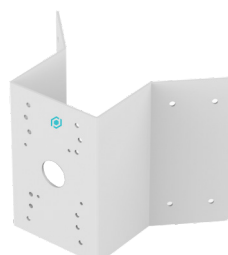
ACCESSORIES



INJPOE90W
90 WATTS POE INJECTOR



CMB6-P
CEILING MOUNT BRACKET



COMB6
CORNER MOUNT BRACKET



PMB6
POLE MOUNT BRACKET