

FLAT DOME NETWORK CAMERA



Introducing the FLF28D5MP-AI! With its 5MP resolution and 2.8mm lens, this camera captures crystal-clear images and wide-angle views, ensuring no detail goes unnoticed. Even in low-light conditions as low as 0.004 lux, its exceptional sensitivity guarantees clear footage. Connect seamlessly through P2P for quick and secure access to your live feed. Its AI features provide intelligent monitoring, while instant notifications keep you informed in real-time. Plus, equipped with a microphone, this camera enables both visual and audio surveillance. Experience unparalleled security and peace of mind with the Flat Dome Camera!



FLF28D5MP-AI



5MP RESOLUTION



2.8MM LENS



IR UP TO 20M



TRUE WDR



COMPACT SIZE



BUILT-IN MICROPHONE



DUSTPROOF &
WATER-RESISTANT



MICRO SD CARD
SLOT UP TO 256GB



VIDEO	
IMAGING DEVICE	1/2.7"
EFFECTIVE PIXELS	5MP 2880(H) x1620(V)
SCANNING SYSTEM	Progressive CMOS
MIN. ILLUMINATION	Color 0.004lux @ F1.6(AGC ON) ; B/W 0 lux @ IR ON

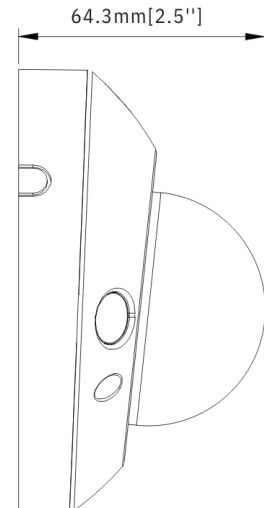
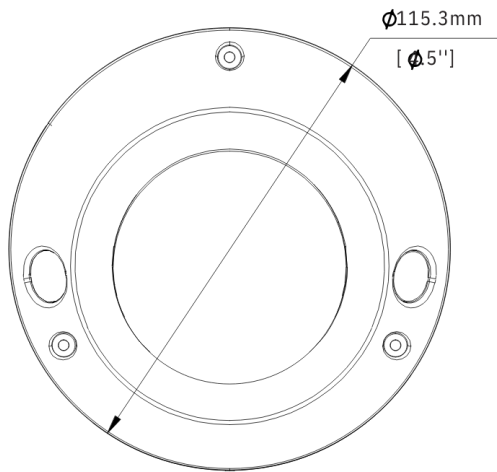
LENS TYPE	
FOCAL LENGTH (ZOOM RATIO)	2.8 mm
MAX. APERTURE RATIO	F No. 1.6
ANGULAR FIELD OF VIEW	Horizontal: 110.6°, Vertical: 58.7°, Diagonal: 133.1°
MIN. OBJECT DISTANCE	1.8m
LENS TYPE	Fixed(M12)

OPERATIONAL	
IR VIEWABLE LENGTH	Up to 20m
CAMERA TITLE	On/Off
DAY & NIGHT	IR cut filter with auto switch (Day/Night/Auto/Image/Schedule)
BACKLIGHT COMPENSATION	Off/On (5 Zone)
WIDE DYNAMIC RANGE	WDR
DIGITAL NOISE REDUCTION	3D DNR
MOTION DETECTION	Off/On (8 Level)
PRIVACY MASKING	Off/On (4 Zone, Rectangle)
GAIN CONTROL	Auto
WHITE BALANCE	Auto/Manual
ELECTRONIC SHUTTER SPEED	1/5 ~ 1/20000s
IMAGE SETTING	Flip/Rotation
ON-BOARD STORAGE	Micro SD slot, up to 256GB
ALARM	NA
AUDIO	Built-in microphone
HARDWARE RESET	Yes
SMART FEATURES	Rare Sound Detection (SD) , Perimeter Intrusion Detection (PID), Face Detection (FD), Stationary Object Detection (SOD), Crowd Density Detection (CD), Human&Vehicle Detection (PD&VD), Line Crossing Detection (LCD), Queue Length Detection (QD), Heat Map (HM), Cross Counting (CC), License Plate Detection (LPD)

NETWORK	
ETHERNET	RJ45(10/100BASE-T)
VIDEO COMPRESSION FORMAT	H.265/H.264
RESOLUTION	Mainstream@30fps 5MP(2880x1620),4MP(2592x1520) 3MP(2304x1296),1080P(1920x1080) 720P(1280x720) Substream@30fps 720P(1280x720),VGA(640x480),QVGA(320x240) Mobilestream@30fps VGA(640x480), QVGA (320x240)
MAX. FRAMERATE	50Hz: 25fps@5MP/4MP/3MP/2MP/960P/720P/VGA/QVGA 60Hz: 30fps@5MP/4MP/3MP/2MP/960P/720P/VGA/QVGA
VIDEO QUALITY ADJUSTMENT	256Kbps ~ 8Mbps
BITRATE CONTROL METHOD	CBR/VBR
STREAMING CAPABILITY	Triple-Stream(Main/Sub/Mobile)
IP	IPv4
PROTOCOL	TCP/IP,HTTP,DHCP,DNS,DDNS,RTP/RTSP,SMTP,NTP,UPnP,SNMP,HTTPS,FTP
SECURITY	IP address filter,complicated password, Authenticated username and password
STREAMING METHOD	Unicast/Multicast
MAX. USER ACCESS	Max 7 (admin+user)
APPLICATION PROGRAMMING INTERFACE	ONVIF(Profile S/G/T)
COMPATIBLE WEB BROWSERS	IE10/11, Safari V12.1 above, Firefox V.52 above Google chrome V.57 above, Edge V.79 above

GENERAL	
OPERATING CONDITIONS	-10°~+50°C/less than ≤ 95% RH
INGRESS PROTECTION	IP66
INPUT VOLTAGE / CURRENT	D12V/POE(IEEE802.3af)
POWER CONSUMPTION (IR OFF)	2W/3W
POWER CONSUMPTION (IR ON)	3W/4.5W
COLOR / MATERIAL	White/Metal&Plastics
DIMENSION (WXHXD)	Ø115X 64mm
WEIGHT	276g

DIMENSIONS



ACCESSORIES



D2BASE1-G
PENDANT

+



WMB6
WALLMOUNT BRACKET



EXT-4POE
4 PORTS POE EXTENDER



IPCOAX-300M
IP OVER COAX EXTENDER

OR



D2BASE1
JUNCTION BOX



CMB6-EXT-120
EXTENDABLE CEILING MOUNT BRACKET



INJPOE25W
25 WATTS POE INJECTOR

2024 Global Surveillance Distribution, G.S.D Group and G.S.D are registered trademarks of Global Surveillance Distribution Group, Inc. in Canada and / or other countries. We reserve the right to change the design and specifications of the product Without notice and without incurring any obligation.