

MINI DOME NETWORK CAMERA



Explore surveillance excellence with the D2Z288IP5MP-AI camera, featuring a remarkable 5MP resolution and a motorized 2.8-8 mm lens for unparalleled installation flexibility. The inclusion of a remote control facilitates convenient zoom and focus adjustments, while its 25-meter infrared range ensures optimal visibility in low-light conditions. With advanced artificial intelligence features simplifying video surveillance and analysis, this camera elevates security measures. Opt for the D2Z288IP5MP-AI to confidently meet your surveillance needs with exceptional image quality and advanced capabilities, providing reliable and comprehensive protection for your spaces.



D2Z288IP5MP-AI



5MP RESOLUTION



2.8-8MM
MOTORIZED LENS



IR UP TO 30M



TRUE WDR



BUILT-IN MICROPHONE



IMPACT RESISTANT



WATERPROOF AND DUST-TIGHT



MICRO SD CARD SLOT UP TO 256GB



VIDEO

IMAGING DEVICE	1/2.7"
EFFECTIVE PIXELS	5MP 2880(H) x 1620(V)
SCANNING SYSTEM	Progressive CMOS
MIN. ILLUMINATION	Color 0.004lux @ F1.6(AGC ON), B/W 0 lux @ IR ON

LENS TYPE

FOCAL LENGTH (ZOOM RATIO)	2.8 mm to 8 mm
MAX. APERTURE RATIO	F No. 1.8 (W) ~ 2.74(T)
ANGULAR FIELD OF VIEW	Horizontal: 109-58°, Vertical: 57-26°, Diagonal: 136-54°
MIN. OBJECT DISTANCE	0.8M-INF (W) 1.3M-INF (T)
LENS TYPE	Motorized(Ø14)

OPERATIONAL

IR VIEWABLE LENGTH	Up to 30 m
CAMERA TITLE	Show/Hide
DAY & NIGHT	IR cut filter with auto switch (Day/Night/Auto/Image/Schedule)
BACKLIGHT COMPENSATION	Off/On (5 Zones)
WIDE DYNAMIC RANGE	WDR
DIGITAL NOISE REDUCTION	3D DNR
MOTION DETECTION	Off/On (8 Levels)
PRIVACY MASKING	Off/On (5 Zones, Rectangle)
GAIN CONTROL	Auto
WHITE BALANCE	Auto/Manual
ELECTRONIC SHUTTER SPEED	1/5 ~ 1/20000s
ON-BOARD STORAGE	Micro SD slot, up to 256GB
ALARM	N/A
AUDIO	Built-in microphone
HARDWARE RESET	Yes
SMART FEATURES	Rare Sound Detection (SD) , Perimeter Intrusion Detection (PID), Face Detection (FD), Stationary Object Detection (SOD), Crowd Density Detection (CD), Human&Vehicle Detection (PD&VD), Line Crossing Detection (LCD), Queue Length Detection (QD), Heat Map (HM), Cross Counting (CC), License Plate Detection (LPD)

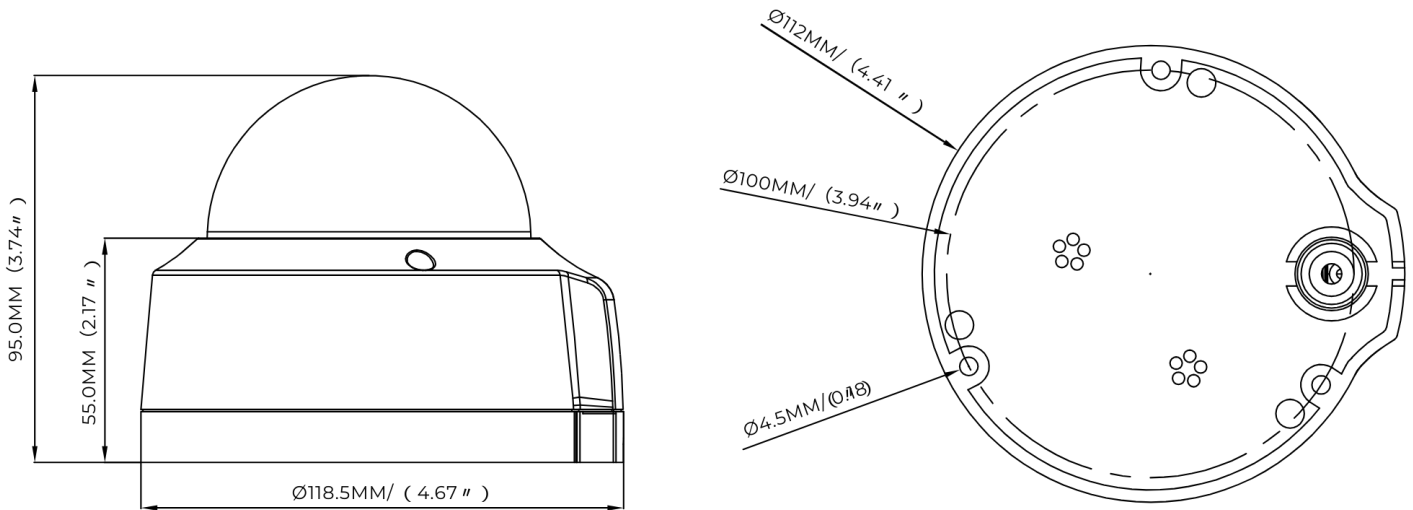
NETWORK

ETHERNET	RJ45(10/100BASE-T)
VIDEO COMPRESSION FORMAT	H.265/H.264/ H.265+/H.264+
RESOLUTION	Mainstream@30fps 5MP(2880x1620),4MP(2592x1520) 3MP(2304x1296),1080P(1920x1080) 720P(1280x720) Substream@30fps 720P(1280x720),VGA(640x480),QVGA(320x240) Mobilestream@30fps VGA(640x480), QVGA(320x240)
VIDEO QUALITY ADJUSTMENT	256Kbps ~ 8Mbps
BITRATE CONTROL METHOD	CBR/VBR
STREAMING CAPABILITY	Triple-Stream(Main/Sub/Mobile)
PROTOCOL	TCP/IP,HTTP,DHCP,DNS,DDNS,RTP/RTSP,SMTP,NTP,UPnP,SNMP,HTTPS,FTP
SECURITY	IP address filter; complicated password; Authenticated username and password
STREAMING METHOD	Unicast/Multicast
APP PROGRAMMING INTERFACE	ONVIF(Profile S/G/T)
COMPATIBLE WEB BROWSERS	IE10/11, Safari V12.1/above, Firefox V.52/above, Google chrome V.57/above, Edge V.79/above

GENERAL

OPERATING CONDITIONS	-35°- +60°C/less than ≤ 95% RH
INGRESS PROTECTION	IP67
PROTECTION RATING	IK10
INPUT VOLTAGE / CURRENT	D12V/POE (IEEE802.3af)
POWER CONSUMPTION (IR OFF)	2W-3W
POWER CONSUMPTION (IR ON)	3.5W-5W
COLOR/MATERIAL	White/Metal
DIMENSIONS (HXWXD)	115*91.6mm
WEIGHT	appr 556g

DIMENSIONS



ACCESSORIES



⬢ D2BASE1
JUNCTION BOX

OR



⬢ WMB2
WALLMOUNT BRACKET



⬢ D2BASE1-G
PENDANT

+



⬢ WMB6
WALLMOUNT

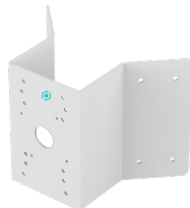
OR



⬢ CMB6
CEILING MOUNT BRACKET



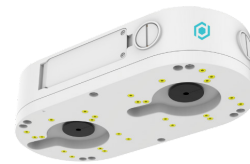
⬢ PMB6
POLE MOUNT BRACKET



⬢ COMB6
CORNER MOUNT BRACKET



⬢ CMB6-EXT-120
EXTENDABLE CEILING MOUNT BRACKET



⬢ DBASEC
DOUBLE JUNCTION BOX



⬢ DCMB2
RECESSED BRACKET